

Fittings for OUTDOOR furniture



Steamer chair fittings



Steamer chair made by Alexander Rose



- high quality furniture fittings





- high quality furniture fittings

SISO A/S
MILEPARKEN 11
DK - 2740 SKOVLUNDE
(COPENHAGEN)
DENMARK
PHONE: (+45) 45 830 900
E-MAIL: SISO@SISO.DK
WWW.SISO.DK

All specifications stated in the catalogue are errors and omissions excepted

SISO A/S tager forbehold for trykfejl samt ændringer i produktets specifikationer.

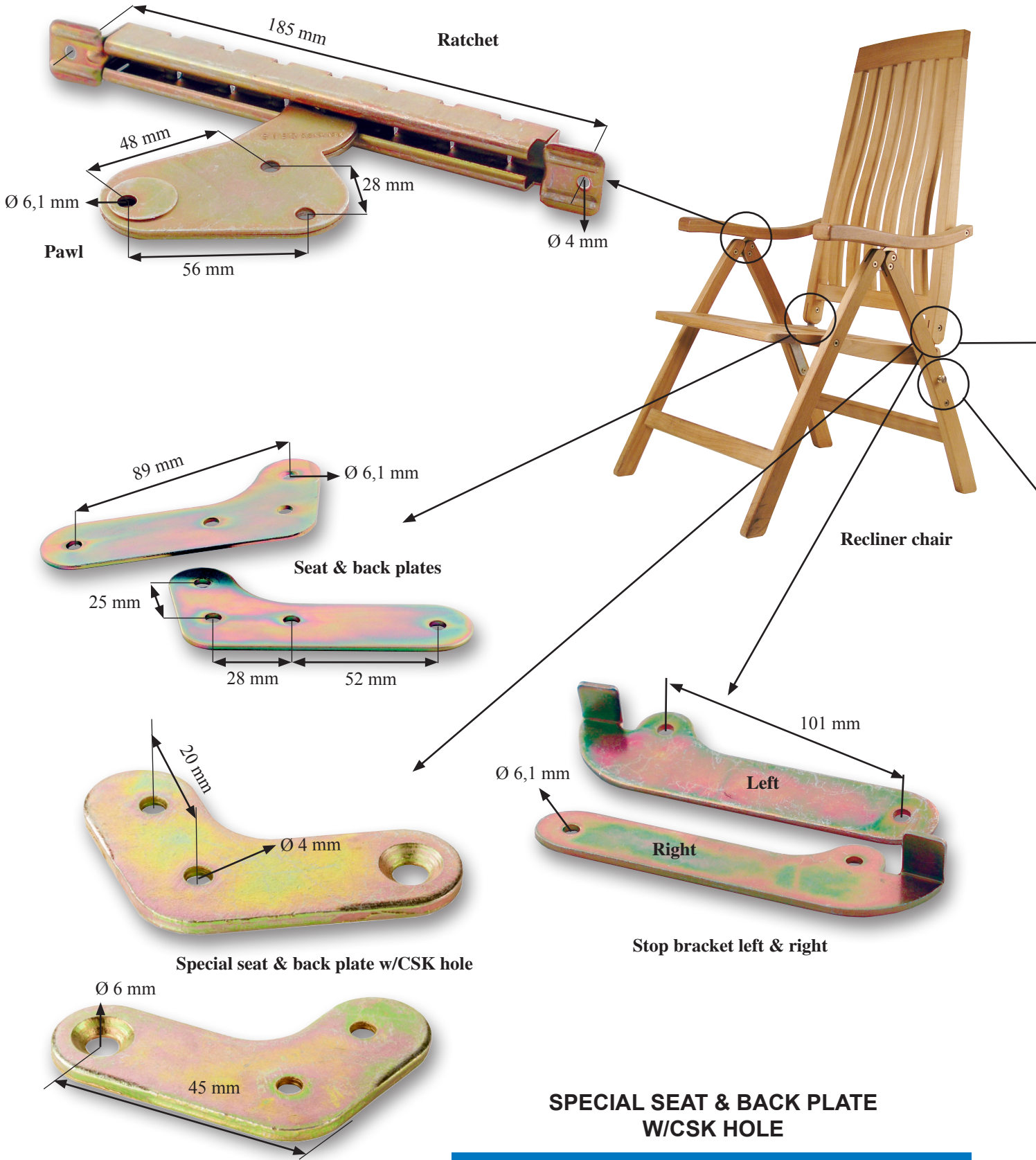
Für Druckfehler und Irrtümer ist jede Haftung ausgeschlossen. Produktänderungen behalten wir uns vor.

DISTRIBUTOR



| | |
|--|--------------|
| FITTINGS FOR OUTDOOR FURNITURE | 4-38 |
| RECLINER CHAIR FITTINGS | 4-5 |
| STEAMER CHAIR FITTINGS | 6-7 |
| U-BRACKETS & STRAPS | 8 |
| UMBRELLA RINGS & HINGES | 9-11 |
| HINGES | 12-14 |
| HEAVY DUTY CUSHION BOX HINGES SS-304 | 14-15 |
| FITTINGS FOR CUSHION BOX | 16-19 |
| PNEUMATIC EXPANSION SPRING FOR LAUNDRY BOXES | 20-21 |
| KNOCK DOWN »SYSTEM S« | 22-23 |
| BRASS COMBIFIX HEADS | 24-25 |
| STEEL COMBIFIX HEADS | 26-27 |
| FIFTEEN SCREWS & BOLTS | 28 |
| CROSS DOWELS | 29 |
| INSEX SCREWS & MUSHROOM SCREWS | 30 |
| INSEX COVERS & INSEX COLLARS | 31 |
| INSEX COLLARS, DRILL BIT & SPACERS | 32 |
| INSEX KEYS | 33 |
| SCREWS | 34 |
| BUSHINGS | 35-38 |
| | |
| FITTINGS FOR GARDEN TABLES | 39-77 |
| TABLE SLIDES | 40-46 |
| LEG BRACKETS | 47 |
| LEG CORNER BRACKETS, NUTS & WING NUT | 48-49 |
| LOCKING PIN & HOOKS | 50 |
| HANGERBOLTS & WASHERS | 51-52 |
| LEG CONNECTOR "CONAN" | 53-54 |
| "KEA" SCREW-IN BUSHING | 55-58 |
| LEG CONNECTOR "WEKA" | 59-60 |
| "TWISTER" & "MINI TWISTER" - THE LEG CONNECTOR | 61-63 |
| "TWIST'N TURN" - THE LEG CONNECTOR | 64 |
| "RIMA" LEG CONNECTOR F/ SQUARE LEGS | 65-66 |
| CATCH # 22 & TABLE CATCH "SPRING" | 67-68 |
| LAZY SUSAN | 68 |
| SURF - THE TABLE CONNECTOR | 69-70 |
| SURF PA6 – THE TABLE CONNECTOR | 71 |
| TABLE CONNECTORS & SPANNERS | 72 |
| LOCATING PINS | 73 |
| TABLE HINGES | 74-77 |

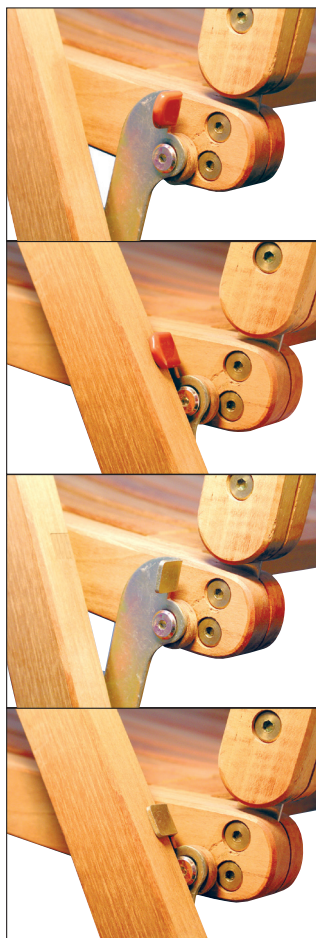




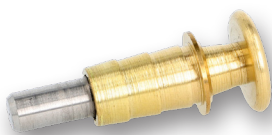
Material: Steel, Yellow Zinc Plated, 6 Micron

Right hand: # 04.05.037
Left hand: # 04.05.038

RECLINER CHAIR FITTINGS



Stop bracket w/cap in function



Locking pin for recliner chair



Protective PVC cap for stop bracket

LOCKING PIN FOR RECLINER CHAIR



Close up of locking pin

Material: Steel or Stainless Steel (SS) AISI 304

Finish: Steel, Yellow Zinc Plated - 8 Micron
Stainless Steel, Natural

1 Complete set in steel for one recliner chair:

| | |
|------------------------------------|-------------|
| 2 Ratchets | # 04.05.010 |
| 2 Pawls | # 04.05.015 |
| 1 Stop bracket right (when seated) | # 04.04.920 |
| 1 Stop bracket left (when seated) | # 04.04.970 |
| 2 Seat & back plates | # 04.05.035 |

1 Complete set in stainless steel for one recliner chair:

| | |
|------------------------------------|-------------|
| 2 Ratchets | # 04.05.040 |
| 2 Pawls | # 04.05.045 |
| 1 Stop bracket right (when seated) | # 04.04.922 |
| 1 Stop bracket left (when seated) | # 04.04.972 |
| 2 Seat & back plates | # 04.05.036 |

Optional:

| | |
|--|-------------|
| 2 Protective PVC caps for stop bracket | # 04.05.028 |
|--|-------------|

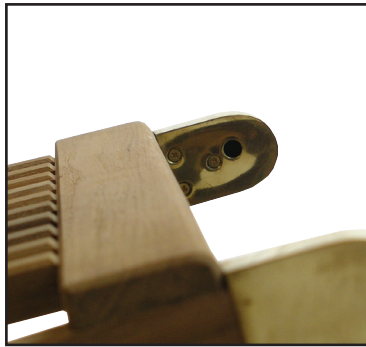
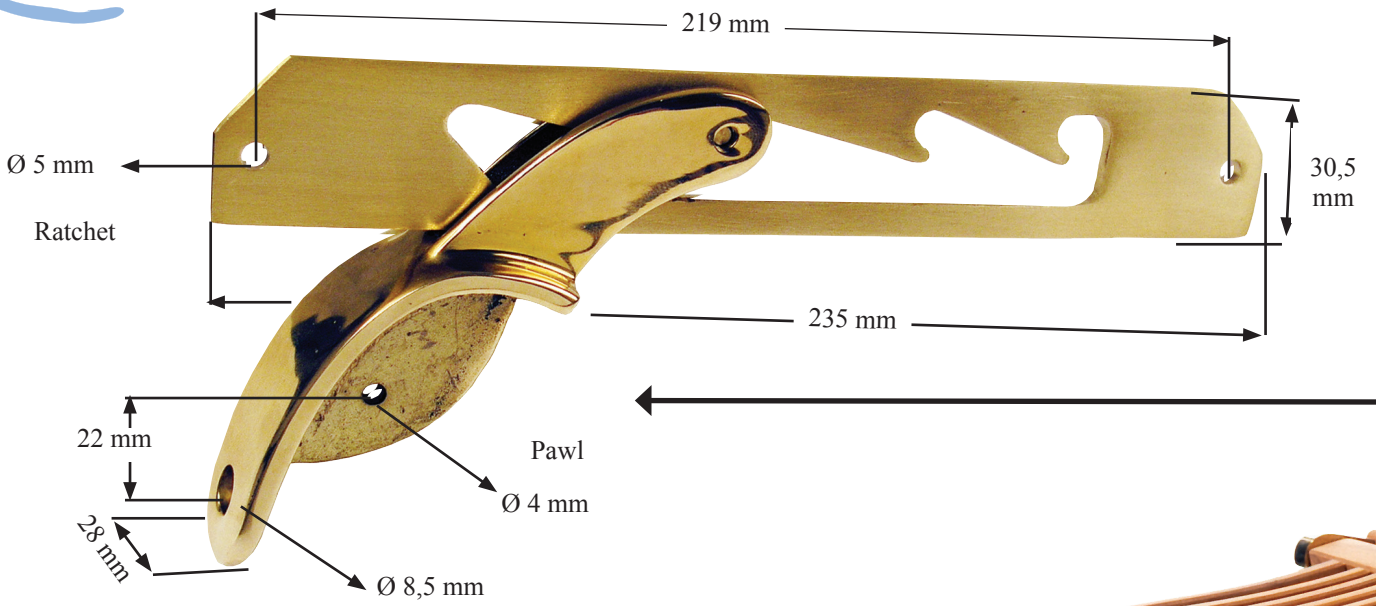
Screws, bolts, nuts & bushings are to be ordered separately according to furniture design, panel thickness etc.

Since 1999 the legislature of the European Union demands that some kind of locking device is obligatory on all folding chairs imported into Europe to prevent the chair from folding accidentally.

Material: Brass (spring & pin made of stainless steel) # 04.05.085

Size: Handle: Ø 20 x 12mm
Pin: Ø 7,5 x 15mm
Total length: 50mm

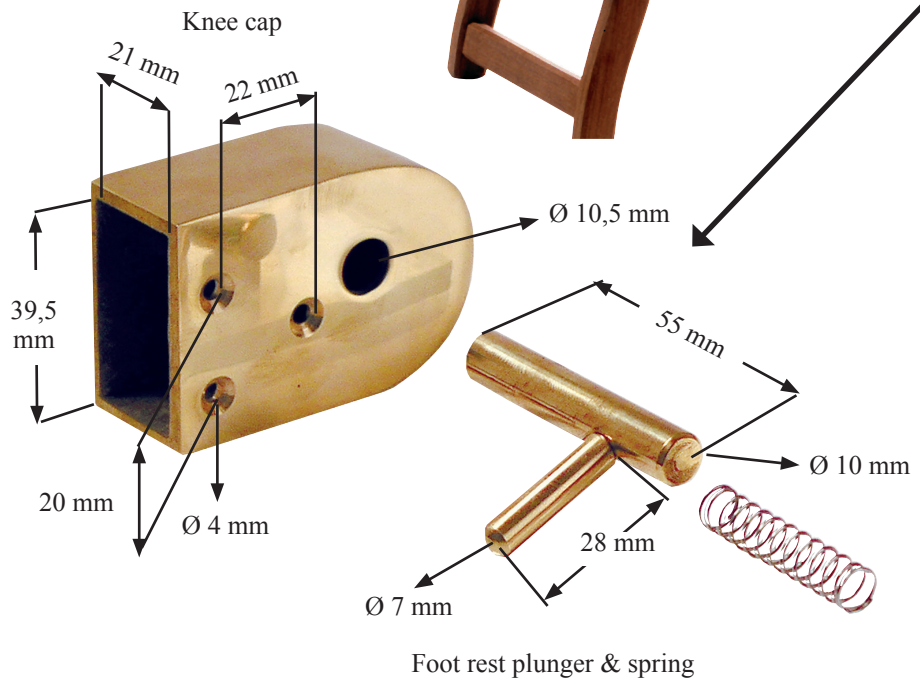
STEAMER CHAIR FITTINGS



Close up of knee cap



Close ups of foot rest plunger



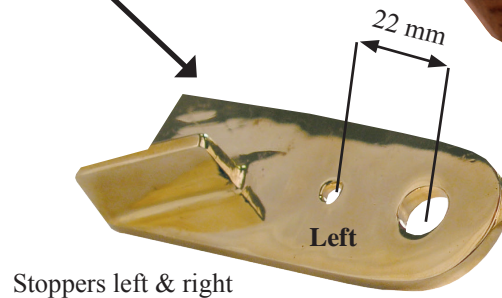
Foot rest plunger & spring



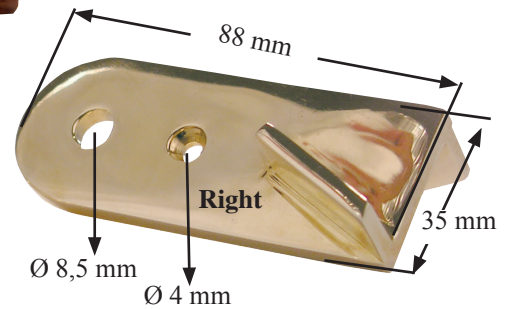
Foot rest plunger in action



Close up of stopper



Stoppers left & right



STEAMER CHAIR FITTINGS

Material: Brass

Finish: Polished

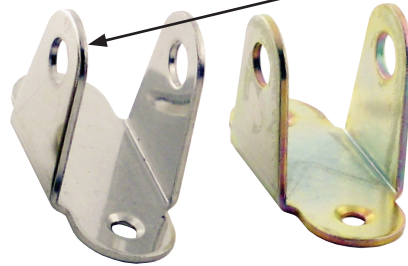
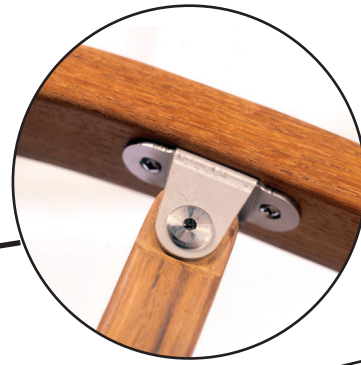
1 Complete set for one steamer chair:

| | |
|-----------------------------|-------------|
| 2 Ratchets in 235 mm length | # 04.03.040 |
| 2 Pawls | # 04.03.010 |
| 1 Stopper right | # 04.03.021 |
| 1 Stopper left | # 04.03.022 |

Optional:

| | |
|----------------------------|--------------------------|
| 2 Knee caps (left & right) | # 04.03.050 (on request) |
| 2 Foot rest plungers | # 04.05.155 |

Screws, bolts, nuts & bushings are to be ordered separately according to furniture design, panel thickness etc.



Ø 9,5 mm

Stainless Steel, Flat

Steel, Flat

U-BRACKET F/ ARMREST OF FOLDING CHAIR

Material: Brass, Lacquered,
Steel, Yellow Zinc Plated – 8 micron
or Stainless Steel AISI 304 (SS)

Size: 65 mm length x 29 mm outer width
(25 mm inner width) x 39 mm height

| Material | Type | Hole | Finish | Item No. |
|----------|------|----------|-----------|-------------|
| Brass | Bent | Ø 8,5 mm | Lacquered | # 04.03.100 |
| Steel | Flat | Ø 9,5 mm | YZP | # 04.03.103 |
| SS | Flat | Ø 9,5 mm | Natural | # 04.03.104 |

Other sizes on request

Ø 8,5 mm



Brass, Bent

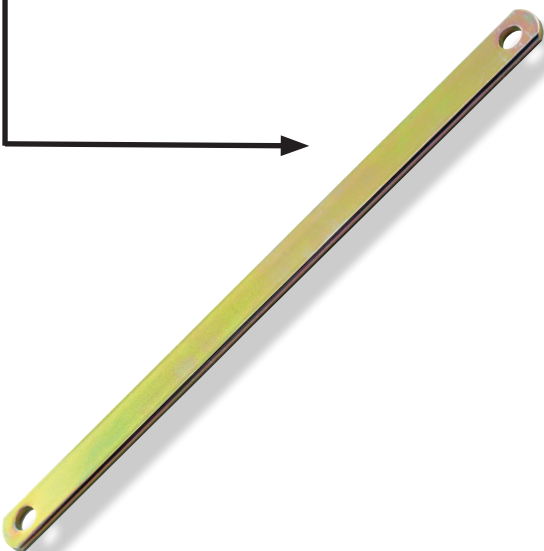
STRAPS

Material: Steel, Yellow Zinc Plated (YZP)
(Stainless Steel or Brass on request)

Thickness: 2 or 3 mm

| Material | Length | Width | Finish | Item No. |
|----------|----------|-------|--------|-------------|
| Steel | 245 mm | 15 mm | YZP | # 04.03.425 |
| Steel | 126,5 mm | 16 mm | YZP | # 04.03.432 |
| Steel | 233 mm | 18 mm | YZP | # 04.03.419 |

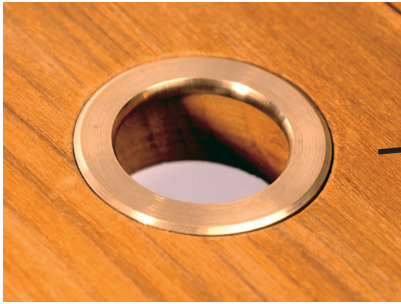
Other sizes on request



UMBRELLA RING BRASS

Material: Brass, Natural

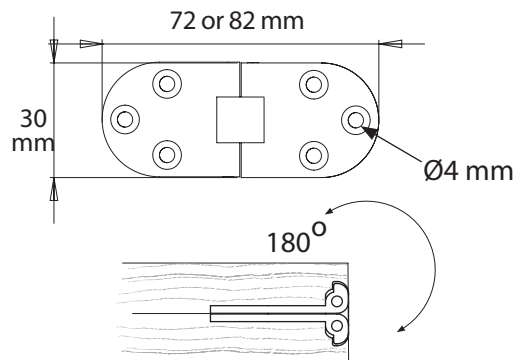
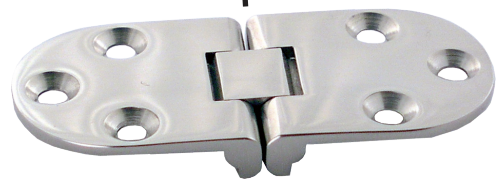
Size: Ø 40 mm inner diameter
 Ø 59,5 mm outer diameter
 5,0 mm thickness # 04.03.500

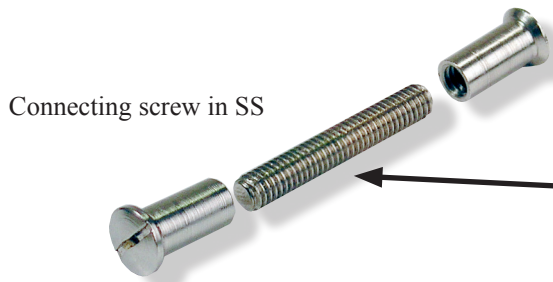


SEWING MACHINE TABLE HINGE

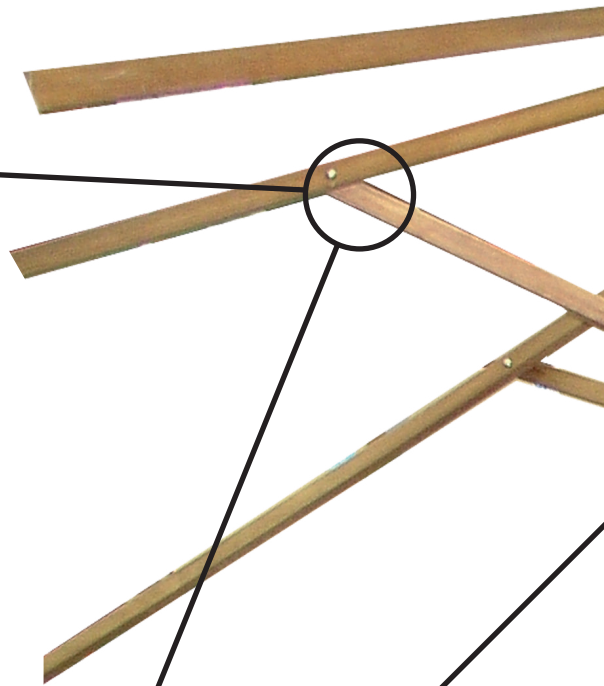
Material: Brass or Stainless Steel (SS) AISI 316
Screw Holes: Ø 4.0 mm

| Sizes | Finish | Item. No |
|------------------|--------------|-------------|
| 30 x 72 x 2.0 mm | Brass Sanded | # 15.11.350 |
| 30 x 72 x 2.0 mm | Nickel Satin | # 15.11.355 |
| 30 x 72 x 2.0 mm | SS Polished | # 15.11.390 |
| 30 x 80 x 2.0 mm | Brass Sanded | # 15.11.310 |





Connecting screw in SS



Eye screw, w/woodthread
Stainless Steel

CONNECTING SCREW IN SS F/UMBRELLA ARMS

Material: Stainless Steel A4
 Finish: Natural
 Bore: Ø 5 mm
 Application: For wood thickness 30 - 35 mm

1 set consists of:

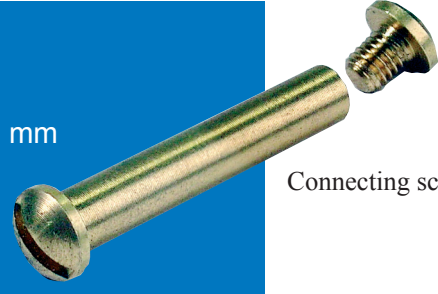
| | |
|---|-------------|
| 2 x Female screws w/slot, CSK, M4 x 12 mm | # 04.03.635 |
| 1 x Threaded bolt M4 x 25 mm | # 04.03.640 |

Material: Brass
 Finish: Natural
 Bore: Ø 6 mm
 Application: For wood thickness 36 - 38 mm

1 set consists of:

1 x Dome head screw M4 x 6 mm
 1 x Female screw w/slot, Dome head, M4 x 36 mm

| | | |
|----------|--------|-------------|
| Item No. | male | # 04.03.550 |
| | female | # 04.03.551 |



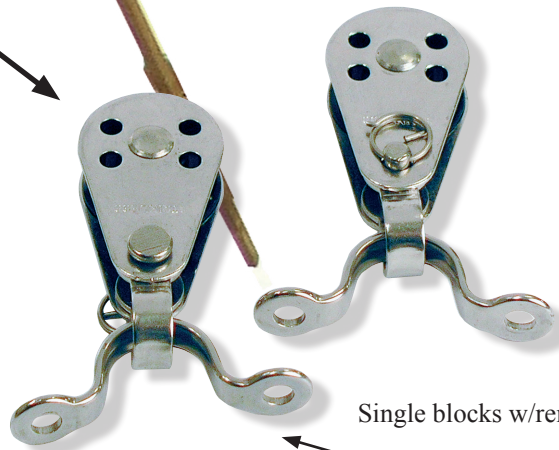
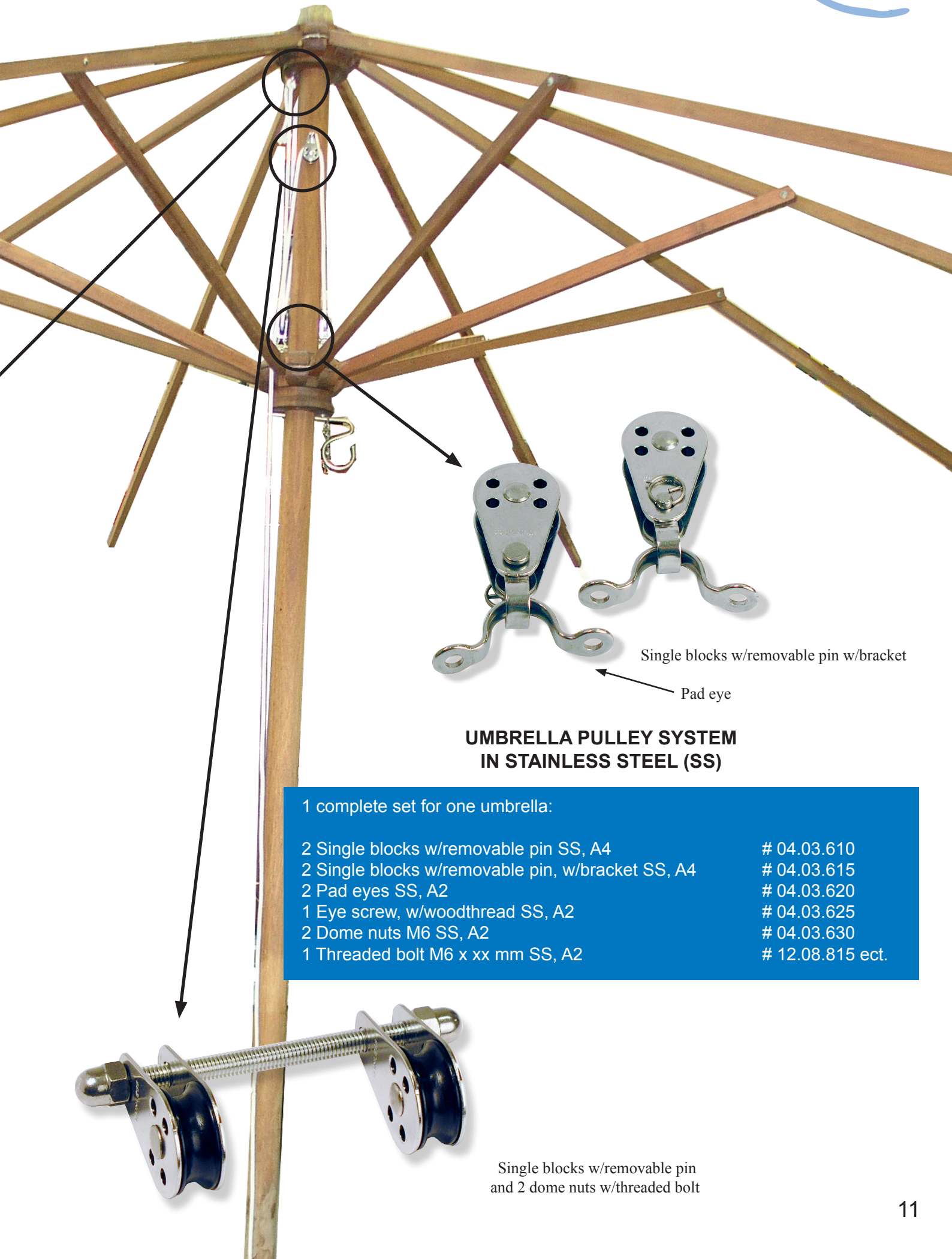
Connecting screw in Brass

ROPE CLAMP - IN STAINLESS STEEL

Material: SS-316
 Finish: Polished
 Size: 55 x 15 x 18,5 mm
 Application: F/4-6 mm robe

Item No. Clamp 04.03.605





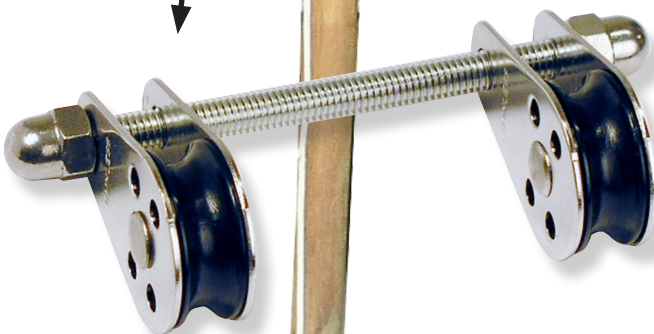
Single blocks w/removable pin w/bracket

Pad eye

UMBRELLA PULLEY SYSTEM IN STAINLESS STEEL (SS)

1 complete set for one umbrella:

| | |
|---|------------------|
| 2 Single blocks w/removable pin SS, A4 | # 04.03.610 |
| 2 Single blocks w/removable pin, w/bracket SS, A4 | # 04.03.615 |
| 2 Pad eyes SS, A2 | # 04.03.620 |
| 1 Eye screw, w/woodthread SS, A2 | # 04.03.625 |
| 2 Dome nuts M6 SS, A2 | # 04.03.630 |
| 1 Threaded bolt M6 x xx mm SS, A2 | # 12.08.815 ect. |

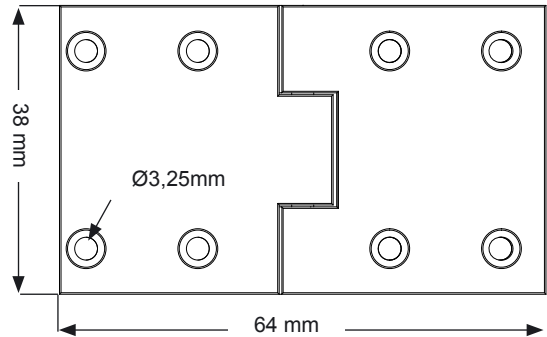
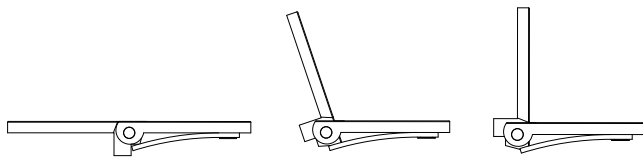


Single blocks w/removable pin
and 2 dome nuts w/threaded bolt

**BUTLER'S TRAY HINGE SQUARE
W/STEEL SPRING**

Butler's Tray hinge,
Square, Sanded Brass

| | | | |
|--------------|----------------|--------|-----------|
| Material: | Brass | | |
| Screw holes: | Ø 3,25 | | |
| Type: | Size | Finish | Item No. |
| Square | 38 x 64 x 3 mm | Sanded | 15.11.160 |

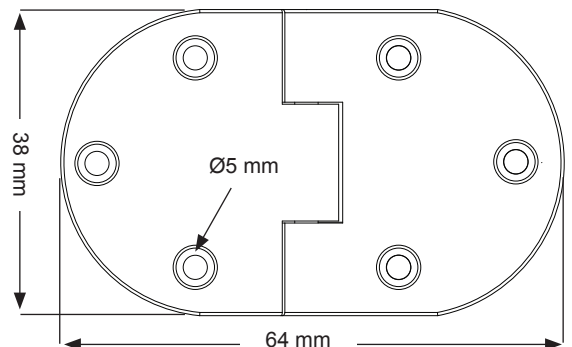
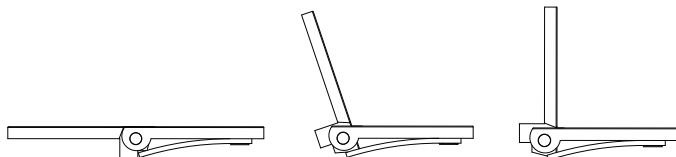
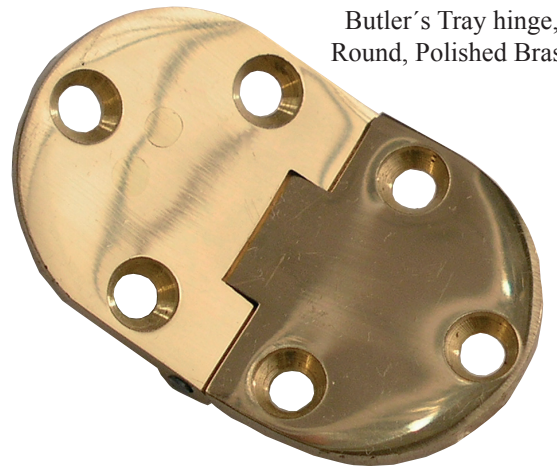


**BUTLER'S TRAY HINGE ROUND
W/STEEL SPRING**

Butler's Tray hinge,
Round, Polished Brass

| | | | |
|--------------|----------------|----------|-----------|
| Material: | Brass | | |
| Screw holes: | Ø 5 mm | | |
| Type: | Size | Finish | Item No. |
| Oval | 38 x 64 x 3 mm | Sanded | 15.11.165 |
| Oval | 38 x 64 x 3 mm | Polished | 15.11.166 |

(No stock item. On request)

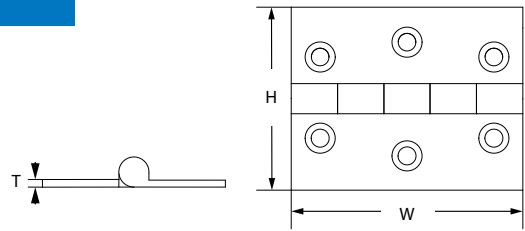


BRASS & SS-316 BUTT HINGES

Material: Brass or Stainless Steel (SS) AISI 316

Screw holes: Ø 3,5 mm

| Size: W/H/T | Material | Finish | Item No. |
|------------------|----------|----------|-----------|
| 40 x 35 x 1,4 mm | Brass | Sanded | 15.13.060 |
| 50 x 40 x 1,4 mm | Brass | Sanded | 15.13.090 |
| 50 x 40 x 1,7 mm | SS - 316 | Polished | 15.13.100 |
| 60 x 50 x 1,8 mm | Brass | Polished | 15.13.125 |



BRASS & SS-316 FLAP HINGES

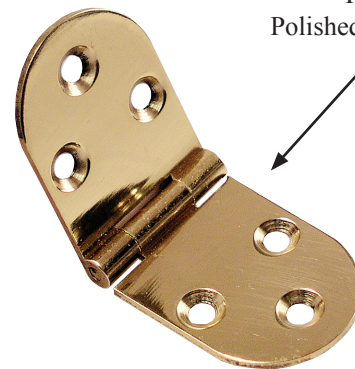
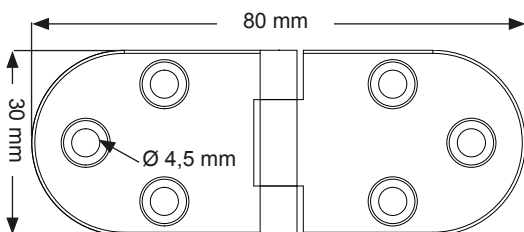
Material: Brass or Stainless Steel (SS) AISI 316

Screw holes: Ø 4,5 mm

| Size | Material | Finish | Item No. |
|-------------------|----------|----------|-----------|
| 30 x 80 x 1,75 mm | Brass | Polished | 15.11.220 |
| 30 x 80 x 1,75 mm | Brass | Sanded | 15.11.230 |
| 30 x 80 x 2,00 mm | SS - 316 | Polished | 15.11.190 |

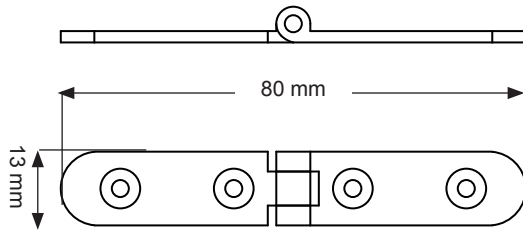


Flap hinge,
Polished Brass & Sanded

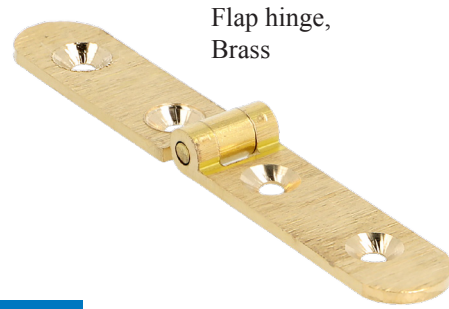


Flap hinge,
Polished Stainless Steel

FLAP HINGES & HEAVY DUTY CUSHION BOX HINGES SS-304



FLAP HINGE "SLIM"



Flap hinge,
Brass

Material: Brass

Screw holes: \varnothing 3 mm

| Size | Material | Finish | Item No. |
|-------------------|----------|--------|-----------|
| 13 x 80 x 1,75 mm | Brass | Sanded | 15.11.215 |

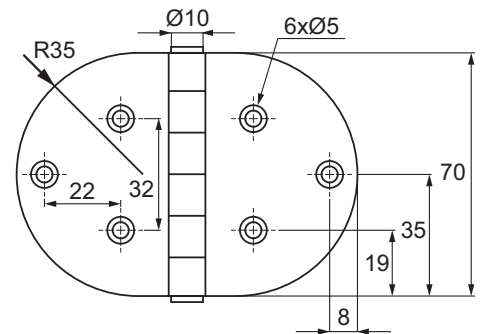
FLAP HINGE "ROUND"



Material: Stainless steel 304, brushed.
Incl. CSK SS-304 screws, M4 x 8 mm

Size: 98 x 70 X 2 mm

Item No.: # 22.23.170



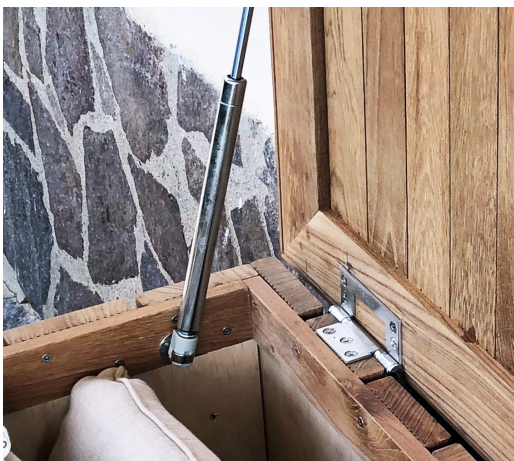
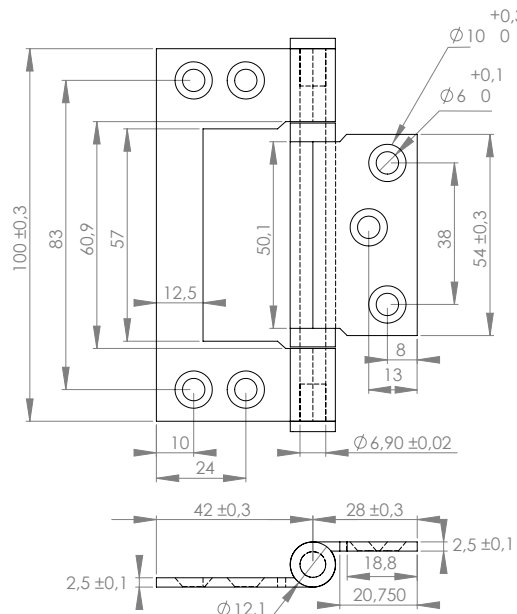
BUTT HINGE "FLUSH"

Material: SS - 304

Size: 100 X 70 X 2,5 mm

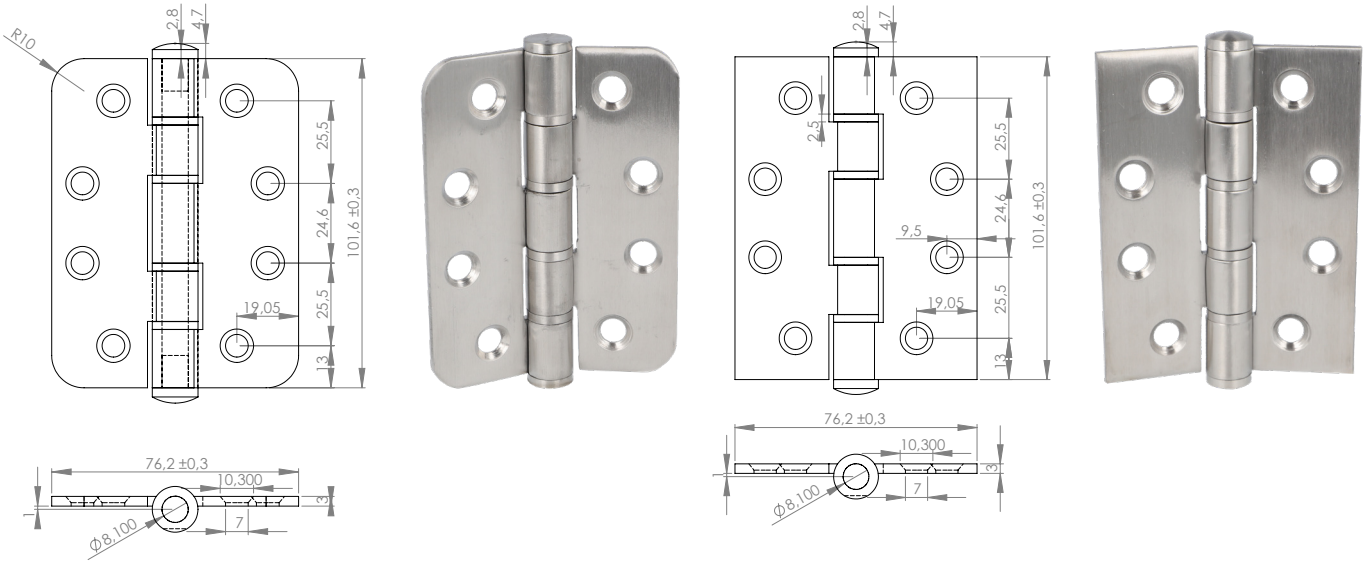
Incl. CSK SS-304 screws, \varnothing 5 x 30 mm

Item No. 15.20.100



HEAVY DUTY CUSHION BOX HINGES SS-304

- high quality furniture fittings

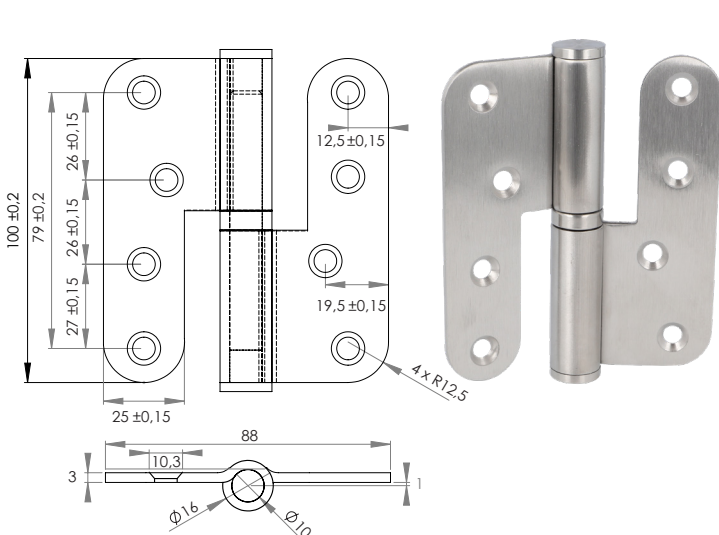


BUTT HINGE "ROUND"

Material: SS - 304
 Size: 102 X 76 X 3 mm
 Incl. CSK SS-304 screws,
 Ø5 x 30 mm
 Item No. 15.20.116

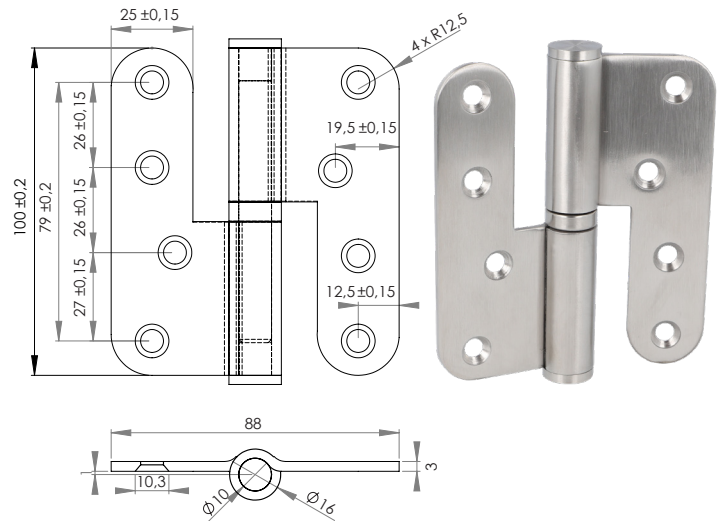
BUTT HINGE "SQUARE"

Material: SS - 304
 Size: 102 X 76 X 3 mm
 Incl. CSK SS-304 screws,
 Ø5 x 30 mm
 Item No. 15.20.115



BUTT HINGE "LIFT OFF" LEFT

Material: SS - 304
 Size: 100 X 88 X 3 mm
 Incl. CSK SS-304 screws,
 Ø5 x 30 mm
 Item No. 15.20.105



BUTT HINGE "LIFT OFF" RIGHT

Material: SS - 304
 Size: 100 X 88 X 3 mm
 Incl. CSK SS-304 screws,
 Ø5 x 30 mm
 Item No. 15.20.106

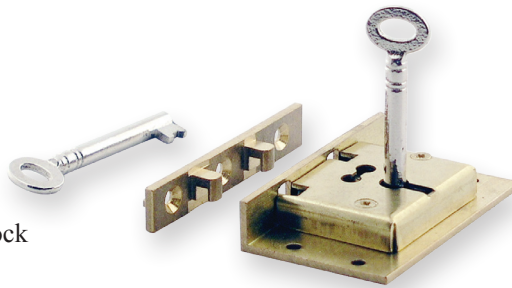
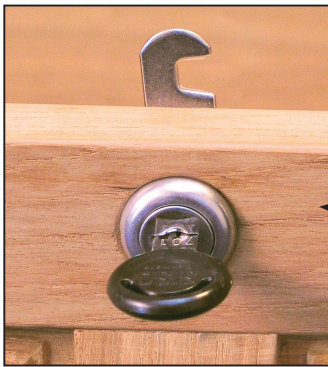
CAM LOCK 1930 F/CUSHION BOX

| | | |
|----------------|---|---------------------------|
| Material: | Cap & front of lock body: | Stainless Steel |
| | Rest of the body: | Zamak |
| | Hex nut: | Zamak |
| | Cam and Rosette: | Steel |
| | Keys: | Steel & plastic |
| Size: | Cylinder: | Ø 19 x 30 mm |
| | Hooked Cam: | 50 mm from centre to edge |
| Specification: | 90 degree turning | |
| | 2 SISO car keys with key alike code D20 (key to differ on request) | |
| | Item No.: #14.04.503 | |



Cam lock

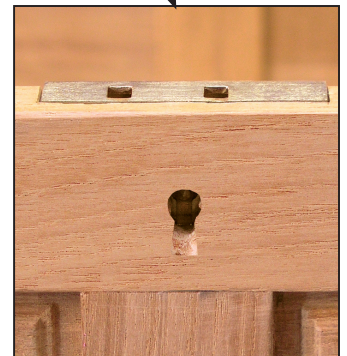
Close up of Cam lock



Mortise lock

MORTISE LOCK #245 W/2 HOOKS F/CUSHION BOX

| | | | |
|----------------|---------------------------------|---------------------|----------------------|
| Material: | Brass | | |
| | Size: | Lock case: | 64 x 38 mm |
| | | Square front plate: | 64 x 11 mm |
| | | Keys: | Steel, nickel plated |
| Specification: | 22 mm backset | | |
| | 2 metal keys with key alike bit | | |
| Item No.: | 14.06.020 | | |



Close up of Mortise lock

SPRING F/CUSHION BOX

- high quality furniture fittings



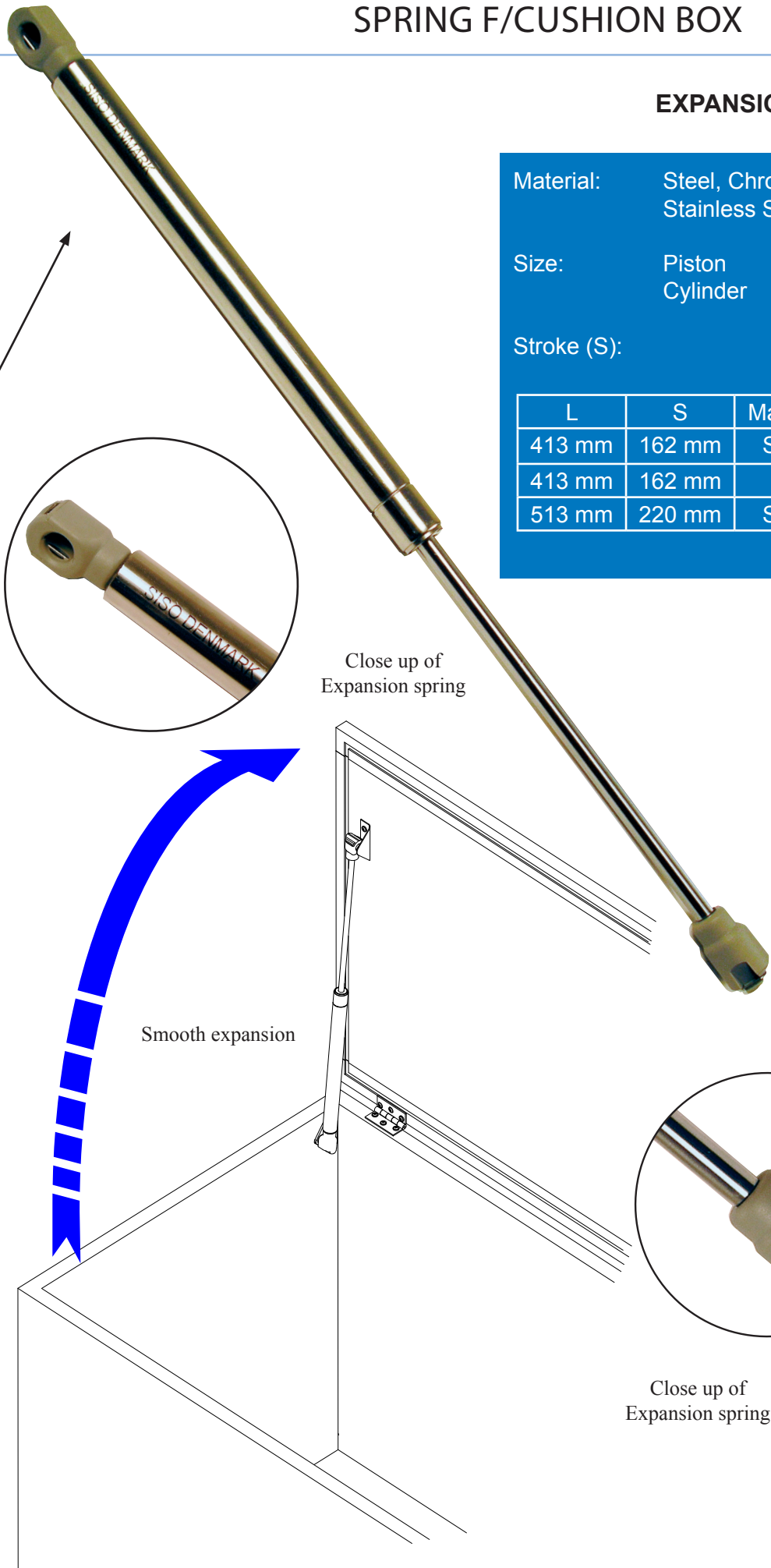
EXPANSION SPRING

Material: Steel, Chrome Plated (CPL)
Stainless Steel 316 (SS)

Size: Piston \varnothing 8 mm
Cylinder \varnothing 18 mm

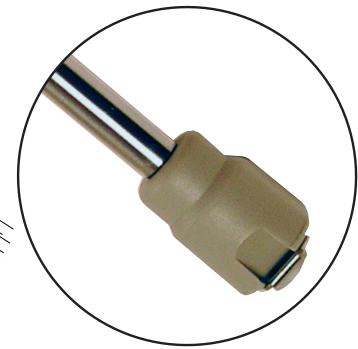
Stroke (S): 162 mm

| L | S | Material | Weight | Item No. |
|--------|--------|----------|--------|-------------|
| 413 mm | 162 mm | Steel | 16 kg | # 15.11.410 |
| 413 mm | 162 mm | SS | 16 kg | # 15.11.412 |
| 513 mm | 220 mm | Steel | 20 kg | # 15.11.411 |

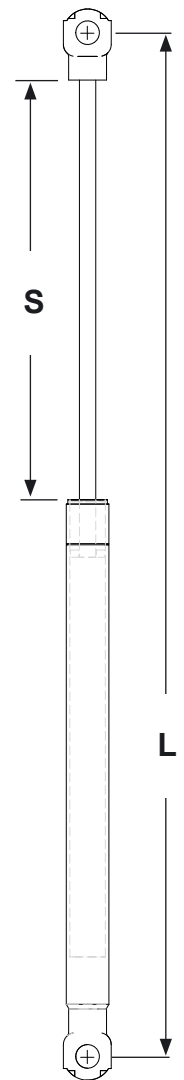


Close up of Expansion spring

Smooth expansion



Close up of Expansion spring



DAMPING SPRING

Material: Steel, Chrome Plated (CPL)

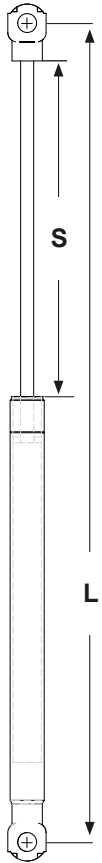
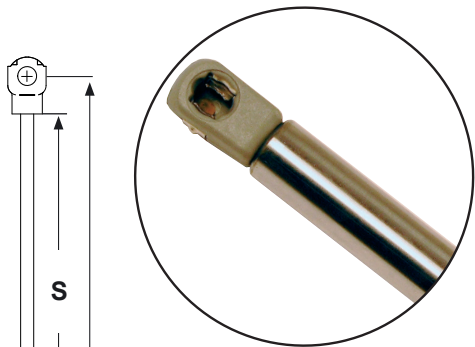
Size: Piston \varnothing 8 mm
Cylinder \varnothing 18 mm

Stroke (S): 162 mm

| L | S | Material | Force | Item No. |
|--------|--------|----------|-------|-------------|
| 413 mm | 162 mm | Steel | 14 kg | # 15.11.450 |



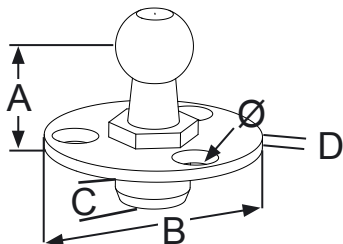
Close up of Damping spring



Cushion box



Round mounting bracket

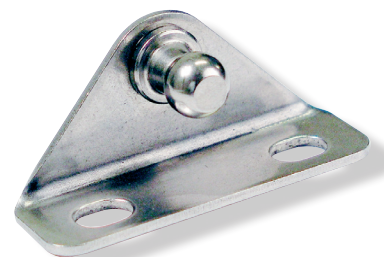


Measurement ill.

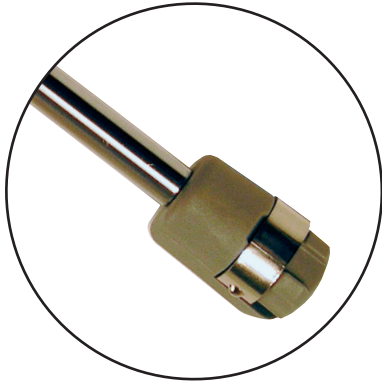
ROUND MOUNTING BRACKET

Material: Steel, Bright Zinc Plated (BZP)
See illustration for understanding of measurement scheme

| A | B | C | D | \varnothing | Finish | Item No. |
|-------|-------|--------------------------|--------|---------------|--------|------------|
| 14 mm | 28 mm | 7 x \varnothing 9,7 mm | 1,5 mm | 4,5 mm | BZP | #15.11.455 |

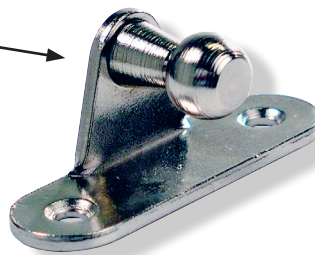
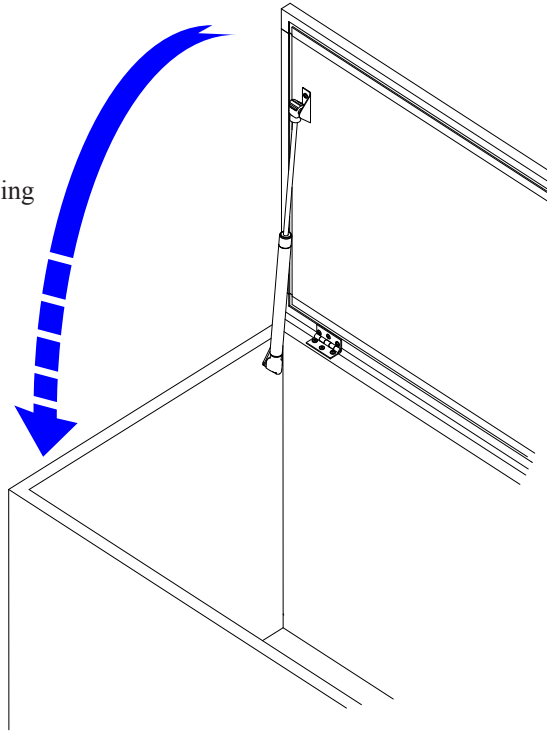


SS mounting bracket L Type

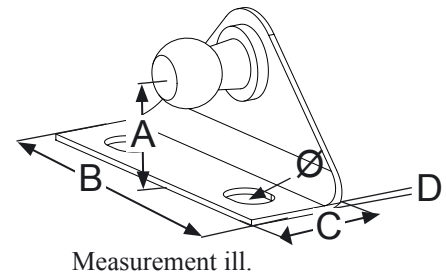


Close up of Damping spring

Smooth closing



L-mounting bracket



Measurement ill.

L-MOUNTING BRACKETS

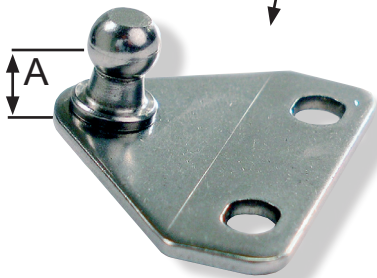
Material: Steel, Bright Zinc Plated (BZP)
See illustration for understanding of measurement scheme

| A | B | C | D | Ø | Finish | Item No. |
|---------|-------|-------|------|----------|--------|-------------|
| 16,5 mm | 46 mm | 14 mm | 3 mm | Ø 4,5 mm | BZP | # 15.11.457 |

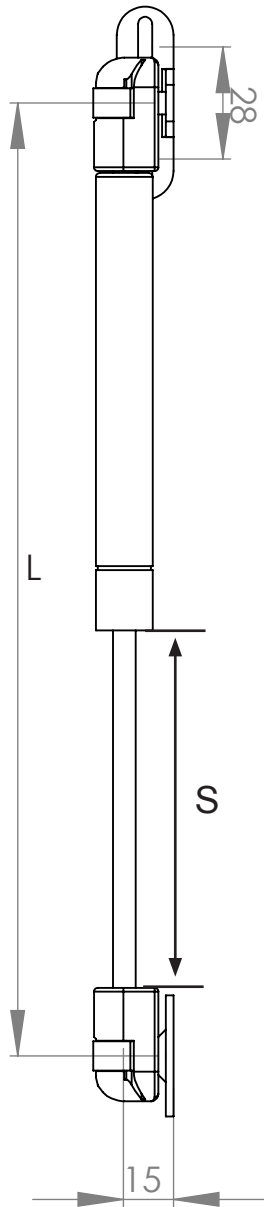
STAINLESS STEEL BRACKETS

Material: Stainless Steel, (SS) AISI 316
See illustration for understanding of measurement scheme

| A | B | C | D | Ø | Finish | Item No. | Type |
|-------|-------|-------|------|------------|--------|-------------|------|
| 18 mm | 56 mm | 18 mm | 2 mm | 9 x 6,8 mm | SS | # 15.11.460 | L |
| 14 mm | 56 mm | 40 mm | 2 mm | 9 x 6,8 mm | SS | # 15.11.461 | Flat |



SS mounting bracket
Flat



PNEUMATIC EXPANSION SPRING

Material: Steel , Silver /Nickel plated

Size: Piston Ø 6 mm
Cylinder Ø 15 mm

Stroke (S): 92 mm

| L | S | Material | Force | Item No. |
|--------|-------|----------|-------|-------------|
| 247 mm | 92 mm | Steel | 60N | # 15.11.439 |
| 247 mm | 92 mm | Steel | 80N | # 15.11.440 |
| 247 mm | 92 mm | Steel | 100N | # 15.11.441 |
| 247 mm | 92 mm | Steel | 120N | # 15.11.442 |

SGS test: 60.000 cycles

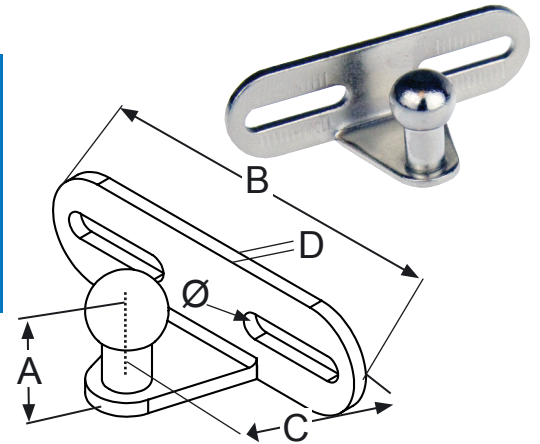
May be bought complete with 3 mounting brackets or without brackets

L-MOUNTING BRACKET

Material: Steel, Nickel Plated (NPL)

| A | B | C | D | Ø | Item No. |
|---------|-------|-------|------|-------------|-------------|
| 16,5 mm | 51 mm | 15 mm | 2 mm | Ø 4 x 17 mm | # 15.11.458 |

Incl. 2 Nickel plated wood screws,PZD, Ø 3,5 x 16 mm

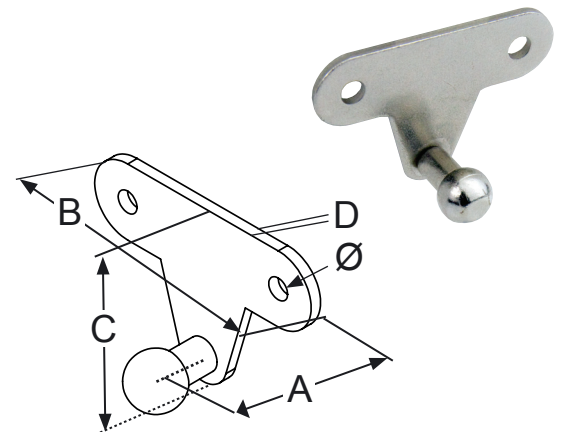


FLAT T-SHAPED MOUNTING BRACKET

Material: Steel, Nickel Plated (NPL)

| A | B | C | D | Ø | Item No. |
|-------|-------|---------|------|--------|-------------|
| 14 mm | 46 mm | 31,5 mm | 2 mm | 4,5 mm | # 15.11.462 |

Incl. 2 Nickel plated wood screws,PZD, Ø 3,5 x 16 mm

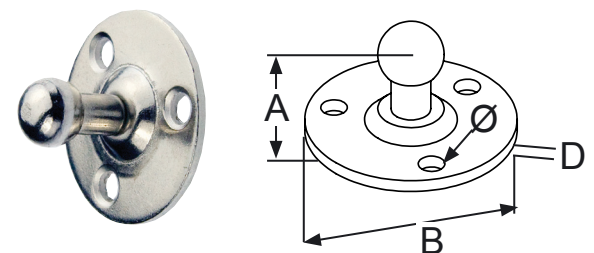


ROUND MOUNTING BRACKET

Material: Steel, Nickel Plated (NPL)

| A | B | D | Ø | Item No. |
|-------|-------|------|------|------------|
| 16 mm | 31 mm | 2 mm | 4 mm | #15.11.454 |

Incl. 3 Nickel plated wood screws,PZD, Ø 3,5 x 16 mm



KNOCK DOWN SYSTEM S

Is an improvement of the conventional eccentric cam fittings!

Instead of an eccentric cam house in zamak we have developed a steel barrel with a pointed grub screw, which is being wedged below the neck of the dowel ensuring a permanent grip

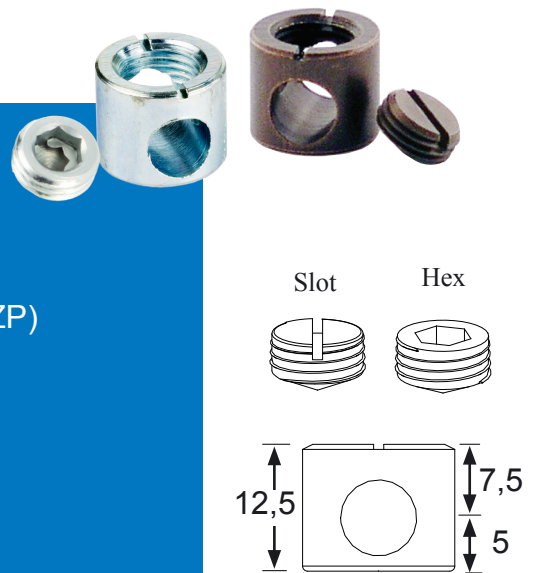
Replaces all 15mm diameter eccentric cam fittings without change of drilling, as the barrel requires the normal 34mm bore distance from the edge. Can also be supplied for 24mm and 44mm distance.

All parts are made of high quality steel or stainless steel for out door use. The material warrants unsurpassed anchoring properties and eliminates the risk of breakage of the fitting due to the constant high tension.

KD-SYSTEM S is available for 16 & 19 mm panels.

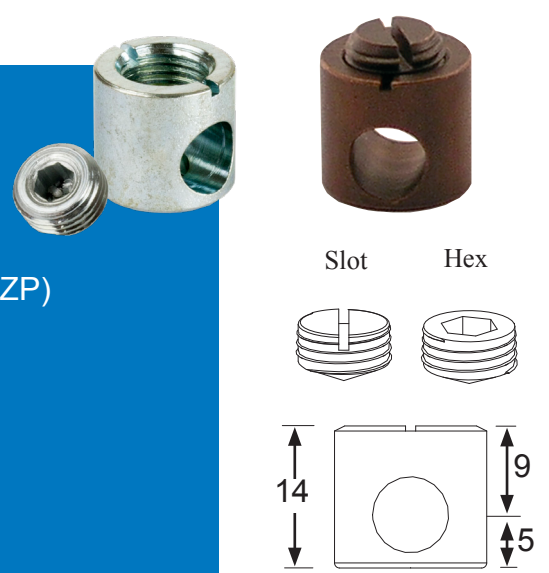
»SYSTEM S« 1512 – FOR 16 MM PANELS

| | | |
|-------------------|---|------------------------|
| Material: | Steel or Stainless Steel | |
| Size: | Cylinder: Ø 15 x 12,5 mm | Grub screw: M10 x 6 mm |
| Finish: | Bronze Plated (BRZ) or Bright Zinc Plated (BZP) | |
| | BRZ | BZP |
| Cylinder | 11.03.500 | 11.03.505 |
| Grub screw w/slot | 11.03.490 | 11.03.494 |
| Grub screw w/hex | 11.03.491 | 11.03.496 |



»SYSTEM S« 1514 – FOR 19 MM PANELS

| | | |
|-------------------|---|--------------------------|
| Material: | Steel or Stainless Steel | |
| Size: | Cylinder: Ø 15 x 14 mm | Grub screw: M10 x 7,5 mm |
| Finish: | Bronze Plated (BRZ) or Bright Zinc Plated (BZP) | |
| | BRZ | BZP |
| Cylinder | 11.03.516 | 11.03.582 |
| Grub screw w/slot | 11.03.521 | 11.03.592 |
| Grub screw w/hex | 11.03.520 | 11.03.593 |



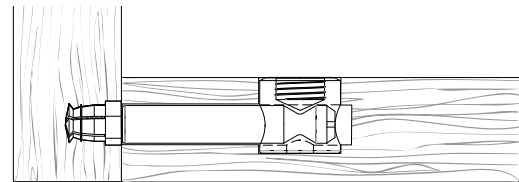
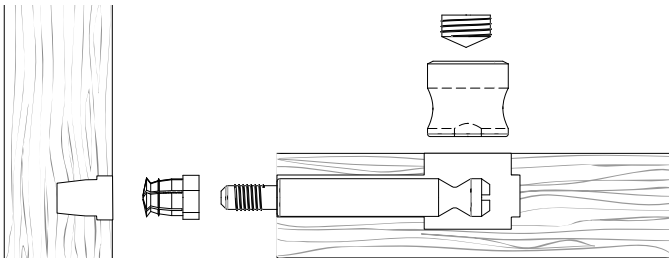
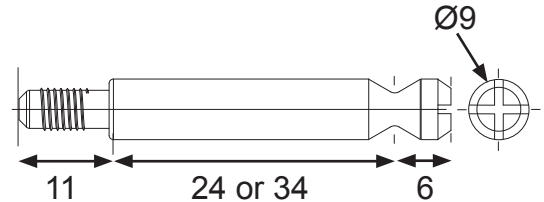
STEEL DOWELS FOR »SYSTEM S«

Material: Steel or Stainless Steel

Finish: Steel, Bright Zinc Plated (BZP) & Stainless Steel (SS), Natural

Type: Metric thread with cross cut

| Size | Material | Finish | Item No |
|------------|----------|---------|-------------|
| M6 x 24 mm | Steel | BZP | # 11.03.524 |
| M6 x 34 mm | Steel | BZP | # 11.03.525 |
| M6 x 34 mm | SS | Natural | # 11.03.730 |



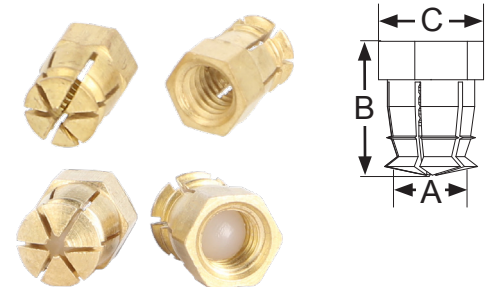
KNOCK IN BUSHING »EXPANSION«

Material: Brass, Natural

Type: Knock-in. Without plastic ball or with ball for extra expansion

| A | B | C | Type: | Item No. |
|----|---------|--------|-----------|-----------|
| M6 | 11,5 mm | Ø 8 mm | No ball | 12.10.340 |
| M6 | 11,5 mm | Ø 8 mm | With ball | 12.10.345 |

Pulling power: 100 Kg.

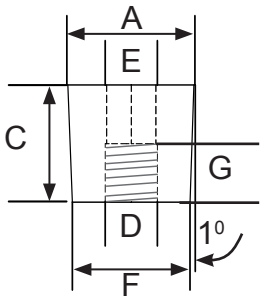


ALTERNATIVE BUSHINGS FOR »SYSTEM S«

SE PAGE 36 TO 39

BRASS COMBIFIX HEADS

BRASS COMBIFIX HEAD #1106 M6 WITHOUT COLLAR

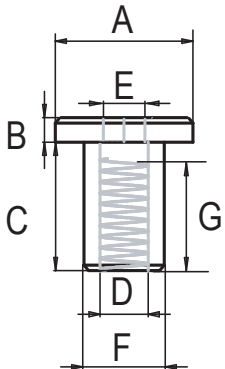


Material: Brass
 Finish: Brass, Natural
 Type: No collar but with 5 mm open hex hole



| A | B | C | D | E | F | G | Item No. |
|---------|------|-------|----|------|---------|------|-------------|
| Ø 13 mm | 0 mm | 10 mm | M6 | 5 mm | Ø 12 mm | 5 mm | # 12.09.690 |

BRASS COMBIFIX HEAD #1007 M6 W/OPEN HEX HOLE

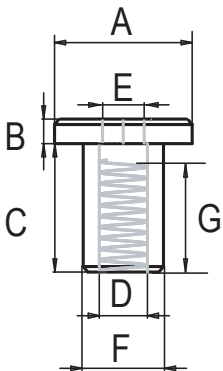


Material: Brass
 Finish: Brass, Natural
 Type: Flat head with 5 mm open hex hole



| A | B | C | D | E | F | G | Item No. |
|---------|------|-------|----|------|--------|------|-------------|
| Ø 12 mm | 2 mm | 10 mm | M6 | 5 mm | Ø 8 mm | 7 mm | # 12.09.090 |

BRASS COMBIFIX HEAD #1011 M6 W/OPEN HEX HOLE

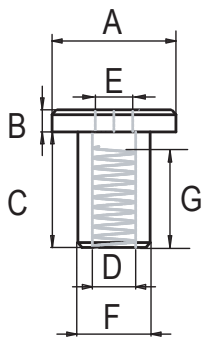


Material: Brass
 Finish: Brass, Natural
 Type: Flat head with 5 mm open hex hole



| A | B | C | D | E | F | G | Item No. |
|---------|---------|------|----|------|--------|------|-------------|
| Ø 15 mm | 2,25 mm | 9 mm | M6 | 5 mm | Ø 9 mm | 7 mm | # 12.09.130 |

BRASS COMBIFIX HEAD #1012 M6 W/OPEN HEX HOLE

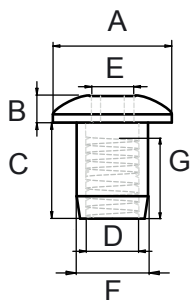


Material: Brass or Stainless Steel (SS) AISI 304
 Finish: Brass, Natural and SS, Natural
 Type: Flat head with 4 or 5 mm open hex hole



| A | B | C | D | E | F | G | SS | Brass |
|---------|---------|----------|----|------|--------|--------|-------------|-------------|
| Ø 15 mm | 2,25 mm | 11,75 mm | M6 | 5 mm | Ø 9 mm | 8,5 mm | on request | # 12.09.170 |
| Ø 15 mm | 2,25 mm | 11,75 mm | M6 | 4 mm | Ø 9 mm | 7 mm | # 12.09.175 | on request |

BRASS COMBIFIX HEAD #1015 M6 W/OPEN HEX HOLE



Material: Brass or Stainless Steel (SS) AISI 304
 Finish: Brass, Natural and SS, Natural
 Type: Dome head with 5 mm open hex hole



| A | B | C | D | E | F | G | SS | Brass |
|---------|---------|----------|----|------|--------|------|-------------|-------------|
| Ø 13 mm | 2,50 mm | 10,50 mm | M6 | 5 mm | Ø 8 mm | 9 mm | # 12.09.265 | # 12.09.250 |


BRASS COMBIFIX HEADS

- high quality furniture fittings

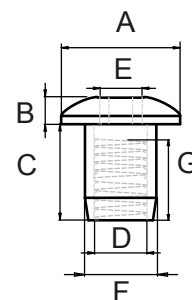


BRASS COMBIFIX HEAD #1015 M6 W/CLOSED HEX HOLE

Material: Brass
 Finish: Nickel Plated (NPL)
 Type: Dome head with 5 mm closed hex hole

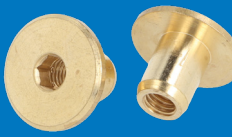


| A | B | C | D | E | F | G | NPL |
|---------|------|-------|----|------|--------|------|-------------|
| Ø 13 mm | 3 mm | 10 mm | M6 | 5 mm | Ø 8 mm | 6 mm | # 12.09.252 |

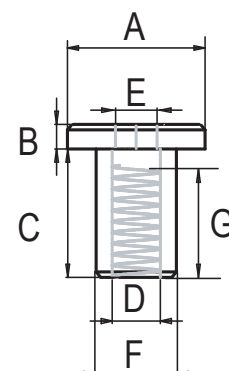


BRASS COMBIFIX HEAD #1031 M6 W/OPEN HEX HOLE

Material: Brass
 Finish: Brass, Natural
 Type: Flat head with 5 mm open hex hole

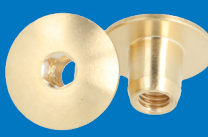


| A | B | C | D | E | F | G | Item No. |
|---------|------|-------|----|------|--------|-------|-------------|
| Ø 19 mm | 2 mm | 12 mm | M6 | 5 mm | Ø 9 mm | 10 mm | # 12.09.410 |

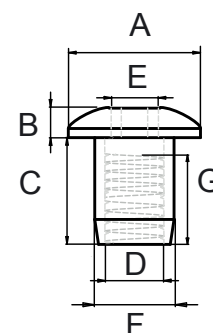


BRASS COMBIFIX HEAD #1046 M6 W/OPEN HEX HOLE

Material: Brass
 Finish: Brass, Natural
 Type: Dome head with 5 mm open hex hole

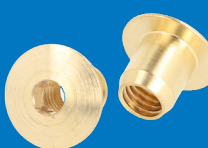


| A | B | C | D | E | F | G | Item No. |
|---------|------|-------|----|------|--------|--------|-------------|
| Ø 19 mm | 3 mm | 10 mm | M6 | 5 mm | Ø 9 mm | 7,5 mm | # 12.09.530 |

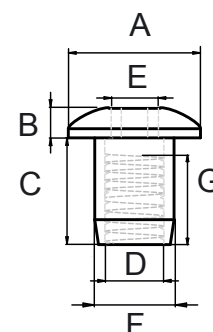


BRASS COMBIFIX HEAD #1060 M8 W/OPEN HEX HOLE

Material: Brass
 Finish: Brass, Natural
 Type: Dome head with 5 mm open hex hole




| A | B | C | D | E | F | G | Item No. |
|---------|---------|---------|----|------|---------|------|-------------|
| Ø 17 mm | 2,50 mm | 11,5 mm | M8 | 5 mm | Ø 10 mm | 8 mm | # 12.09.570 |

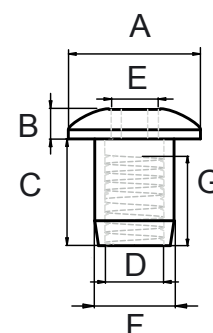


BRASS COMBIFIX HEAD #1062 M8 W/OPEN HEX HOLE

Material: Brass
 Finish: Brass, Natural
 Type: Dome head with 5 mm open hex hole

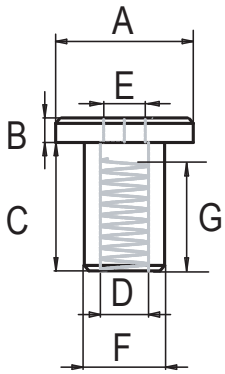


| A | B | C | D | E | F | G | Item No. |
|---------|------|------|----|------|---------|------|-------------|
| Ø 30 mm | 4 mm | 7 mm | M8 | 5 mm | Ø 12 mm | 6 mm | # 12.09.610 |



STEEL COMBIFIX HEADS

STEEL COMBIFIX HEAD # F-563 M6 W/CLOSED HEX HOLE

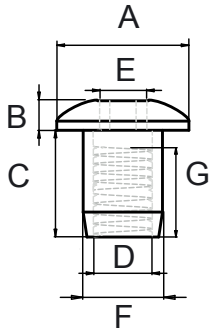


Material: Steel
 Finish: Brass Plated (BPL) or Yellow Zinc Plated 8 Micron (YZP)
 Type: Flat head with 4 or 5 mm closed hex hole



| A | B | C | D | E | F | G | BPL | YZP |
|---------|------|-------|----|------|--------|-------|-------------|-------------|
| Ø 15 mm | 2 mm | 12 mm | M6 | 4 mm | Ø 9 mm | 7 mm | # 12.09.750 | # 12.09.696 |
| Ø 15 mm | 2 mm | 12 mm | M6 | 5 mm | Ø 9 mm | 7 mm | on request | on request |
| Ø 15 mm | 2 mm | 18 mm | M6 | 4 mm | Ø 9 mm | 13 mm | on request | # 12.09.800 |
| Ø 15 mm | 2 mm | 18 mm | M6 | 5 mm | Ø 9 mm | 13 mm | # 12.09.802 | on request |

STEEL COMBIFIX HEAD # D-564 M6 W/CLOSED HEX HOLE

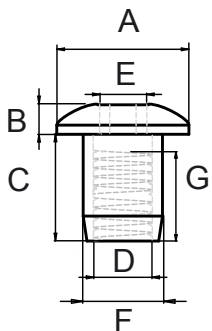


Material: Steel
 Finish: Nickel Plated (NPL)
 Type: Dome head with 5 mm closed hex hole



| A | B | C | D | E | F | G | NPL |
|---------|--------|-------|----|------|--------|-------|-------------|
| Ø 15 mm | 2,5 mm | 12 mm | M6 | 5 mm | Ø 9 mm | 7 mm | # 12.09.829 |
| Ø 15 mm | 2,5 mm | 15 mm | M6 | 5 mm | Ø 9 mm | 10 mm | on request |

STEEL COMBIFIX HEAD # D-597 M6 W/CLOSED HEX HOLE



Material: Steel
 Finish: Brass Plated (BPL)
 (other finishes on request)
 Type: Dome head with 5 mm closed hex hole

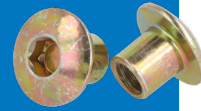


| A | B | C | D | E | F | G | BPL |
|---------|------|-------|----|------|--------|-------|-------------|
| Ø 20 mm | 3 mm | 16 mm | M6 | 5 mm | Ø 9 mm | 12 mm | # 12.09.937 |

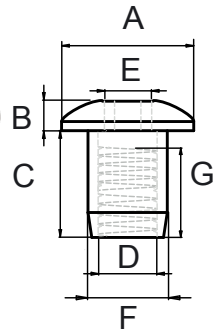
STEEL COMBIFIX HEAD # D-637 M6 W/CLOSED HEX HOLE

Material: Steel
 Finish: Yellow Zinc Plated 2-3 micron (YZP)
 (other finishes on request)

Type: Dome head with 5 mm Closed hex hole



| A | B | C | D | E | F | G | YZP |
|---------|------|------|----|------|--------|------|-------------|
| Ø 15 mm | 4 mm | 8 mm | M6 | 5 mm | Ø 8 mm | 5 mm | # 12.09.815 |



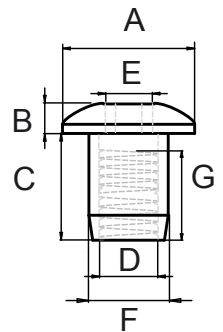
STEEL COMBIFIX HEAD # D-595 M8 W/CLOSED HEX HOLE

Material: Steel
 Finish: Brass Plated (BPL), Bronze Plated (BRZ)
 or Nickel Plated (NPL)

Type: Dome head with 5 mm closed hex hole



| A | B | C | D | E | F | G | BPL | BRZ |
|---------|------|-------|----|------|---------|-------|-------------|-------------|
| Ø 20 mm | 3 mm | 16 mm | M8 | 5 mm | Ø 10 mm | 12 mm | # 12.09.930 | # 12.09.934 |
| | | | | | | | NPL | |
| Ø 20 mm | 3 mm | 16 mm | M8 | 5 mm | Ø 10 mm | 12 mm | # 12.09.933 | |



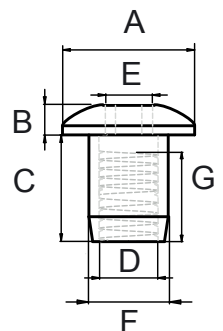
STEEL COMBIFIX HEAD # D-602 M10 W/CLOSED HEX HOLE

Material: Steel
 Finish: Nickel Plated (NPL)
 (other finishes on request)

Type: Dome head with 5 mm closed hex hole



| A | B | C | D | E | F | G | NPL |
|---------|------|-------|-----|------|---------|------|-------------|
| Ø 20 mm | 4 mm | 13 mm | M10 | 5 mm | Ø 13 mm | 9 mm | # 12.09.950 |



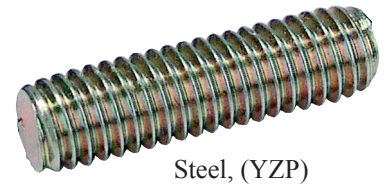
THREADED BOLTS

Material: Steel, Yellow Zinc Plated
(other finishes on request)
Stainless Steel, Natural
Brass, Natural

Thread: M6 or M8

Lengths: From 18 up to 1000 mm

Item No. 12.08.123 etc.



Steel, (YZP)

FIFTEEN SCREWS

Material: Steel, Yellow Zinc Plated
(other finishes on request)
Stainless Steel AISI 316
Brass, Natural

Head size: Ø 15 x 2,5 mm

Hex size: 4 mm

Thread: M6 (M8 on request)

Lengths: 25/30/35/40/45/50/60/70/80/90/100 & 120 mm

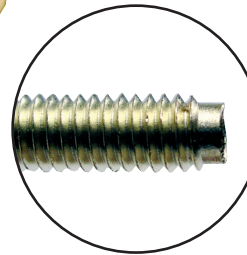
Type: With 3mm point or conical (see illustration)

Item No. 12.00.800 etc.



Stainless Steel
AISI 316

Steel, (YZP)



Conical
Brass, Natural



Point
Steel

FIFTEEN WOOD SCREWS

Material: Steel, Yellow Zinc Plated
(other finishes on request)
Stainless Steel AISI 316

Head size: Ø 15 x 2,5 mm

Hex size: 4 mm

Thread: Ø 6,3 mm

Lengths: 40/50/60 and 70 mm (other sizes on request)

Type: With point (see illustration)

Item No. # 12.01.340 etc.



Stainless Steel
AISI 316

Steel, (YZP)

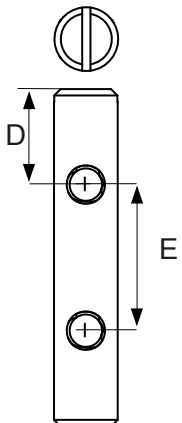
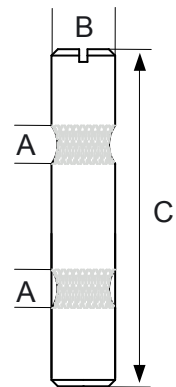
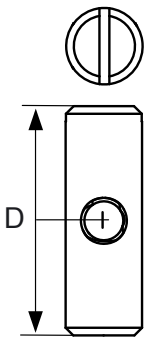
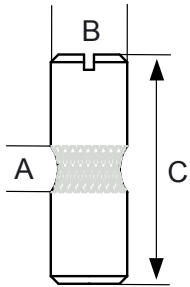


Point

CROSS DOWELS



Bright Zinc Plated



Material: Steel or Stainless Steel

Stainless Steel

Type: With slot

Finish: Steel, Yellow Zinc Plated (YZP)
Bright Zinc Plated (BZP),
Stainless Steel, (SS), Natural

Yellow Zinc Plated

D* Distance from centre of hole to edge.

Brass

| A | B | C | D* | Material | Finish | Item No. |
|----|---------|-------|--------------|----------|---------|-----------------|
| M6 | Ø 10 mm | 13 mm | 8/5 mm | Steel | BZP/YZP | # 12.07.006/007 |
| M6 | Ø 10 mm | 14 mm | 8/6 mm | Steel | BZP/YZP | # 12.07.030/31 |
| M6 | Ø 10 mm | 14 mm | 8/6 mm | SS | Natural | # 12.07.043 |
| M6 | Ø 10 mm | 16 mm | 10/6 mm | Steel | YZP | # 12.07.044 |
| M6 | Ø 10 mm | 16 mm | 10/6 mm | SS | Natural | # 12.07.045 |
| M6 | Ø 10 mm | 18 mm | 12/6 mm | Steel | YZP/BZP | # 12.07.327/328 |
| M6 | Ø 10 mm | 30 mm | 20/10 mm | Steel | BZP | # 12.07.350 |
| M6 | Ø 10 mm | 20 mm | 10/10 mm | Steel | BZP/YZP | # 12.07.070/071 |
| M6 | Ø 10 mm | 25 mm | 12,5/12,5 mm | Steel | BZP | # 12.07.110 |
| M6 | Ø 10 mm | 30 mm | 15/15 mm | Steel | BZP | # 12.07.150 |
| M6 | Ø 10 mm | 40 mm | 20/20 mm | Steel | BZP | # 12.07.230 |
| M6 | Ø 10 mm | 45 mm | 22,5/22,5 mm | Steel | BZP | # 12.07.270 |
| M8 | Ø 12 mm | 20 mm | 10/10 mm | Steel | YZP | # 12.07.287 |
| M8 | Ø 12 mm | 25 mm | 12,5/12,5 mm | Steel | BZP | # 12.07.288 |
| M8 | Ø 12 mm | 30 mm | 15/15 mm | Steel | YZP | # 12.07.289 |
| M8 | Ø 12 mm | 50 mm | 25/25 mm | Steel | BZP/YZP | # 12.07.291/92 |
| M8 | Ø 12 mm | 60 mm | 30/30 mm | Steel | BZP | # 12.07.325 |

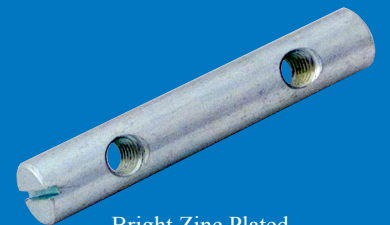
CROSS DOWEL NO. 3250 W/2 HOLES

Material: Steel

Type: With slot

Finish: Steel, Bright Zinc Plated (BZP)

D* Distance from centre of hole to edge.



Bright Zinc Plated

| A | B | C | D* | E | Material | Finish | Item No. |
|----|---------|-------|-------|------------|----------|--------|-------------|
| M6 | Ø 10 mm | 60 mm | 14 mm | c.c. 32 mm | Steel | BZP | # 12.07.465 |
| M6 | Ø 10 mm | 60 mm | 10 mm | c.c. 40 mm | Steel | BZP | # 12.07.500 |
| M6 | Ø 10 mm | 82 mm | 9 mm | c.c. 64 mm | Steel | BZP | # 12.07.570 |

MUSHROOM SCREWS

Material: Steel, Yellow Zinc or Black Oxidized
Other materials & finishes on request

Head size: Ø 15 mm

Hex size: 4 mm (5 mm on request)

Thread: M6 (M8 on request)

Lengths: 12/16/20/23/30/32/38/45/50/60/63/90 mm
(other lengths on request)

Type: Blunt (Point on request)

Item No. # 12.03.110 etc.



INSEX SCREWS

Material: Steel, Yellow Zinc, Brass Plated or Black Oxidized
Stainless Steel, (SS), Natural
Other materials & finishes on request

Head size: Ø 12 x 4 mm (counter sunk)

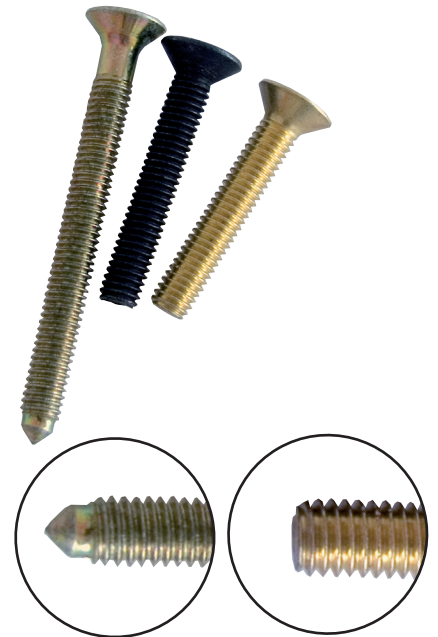
Hex size: 4 mm

Thread: M6 (M8 and M10 on request)

Lengths: 32/35/38/44/50/51/57/60/63/76/90/100/120/126 mm
(other lengths on request)

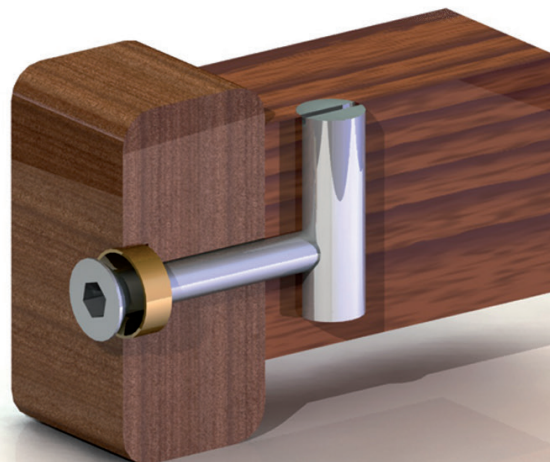
Type: Pointed or blunt (see illustration)

Item No. # 12.04.004 etc.

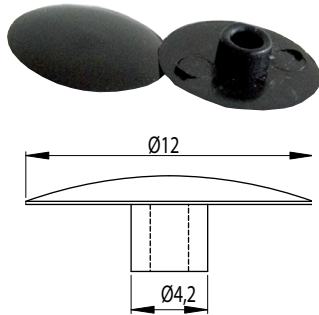


Point

Blunt

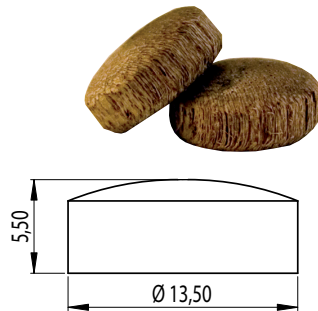


INSEX COVER CAPS



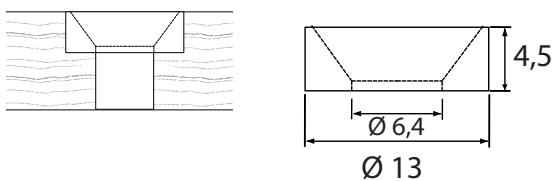
| | |
|------------|----------------------------|
| Material: | Plastic, black |
| Head size: | Ø 15mm, Dome |
| Pin: | Ø 4,2 mm for 4 mm hex hole |
| Item No. | 12.05.005 |

INSEX WOOD PLUGS



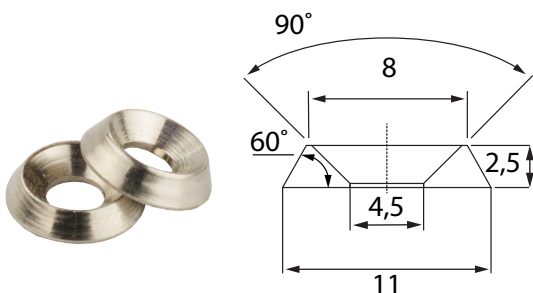
| | |
|-----------|--|
| Material: | Teak wood (other wood types on request) |
| Size: | Ø 13,5 x 5,5 m |
| Item No. | 12.05.020 (No stock item. On request) |

INSEX COLLARS - BRASS



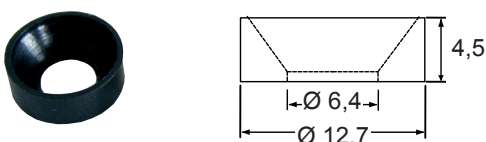
| | |
|-----------|---|
| Material: | Brass |
| Size: | Ø 13 x 4,5 mm x M6 |
| Item No. | Brass Natrual # 12.05.036 Brass Black Oxidized # 12.05.039 Brass Nickel Plated # 12.05.038 (No stock item. On request) |

CUP WASHER - SS



| | |
|-----------|----------------------|
| Material: | Stainless Steel (SS) |
| Size: | Ø 11 x 8 x 4,5 mm |
| Item No. | # 12.13.390 |

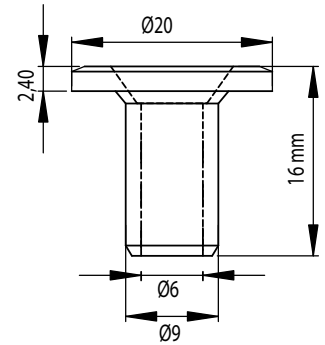
INSEX COLLARS - NYLON



| | |
|-----------|--|
| Material: | Nylon, Black |
| Size: | Ø 12,7 x 4,5 mm X M6 |
| Item No. | # 12.05.040 (No stock item. On request) |

INSEX COLLARS - STEEL W/SHAFT

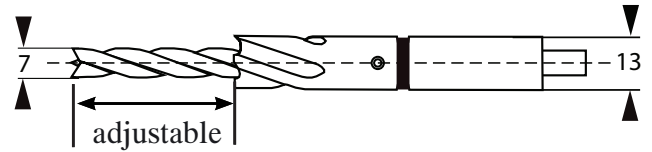
Material: Steel, Yellow Zinc
 Size: Ø 20 x 16 mm x M6
 Item No. # 12.05.070



DRILL BIT F/INSEX SCREWS & COLLARS

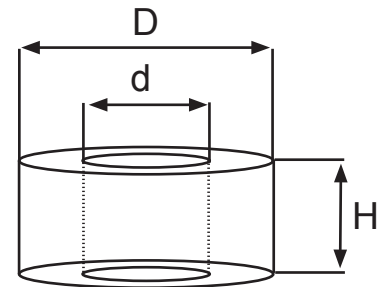
Twin set boring bits for Ø7mm and Ø13mm in one operation

Item No. # 12.18.010



DISTANCE SPACERS

Material: Polyethylene (PE), black or white.



| Item - number | Color | D diameter | d diameter | H height |
|---------------|-------|---------------|---------------|-------------|
| #12.13.555 | Black | 20 mm | 5,3 mm | 20 mm |
| #12.13.556 | Black | 20 mm | 5,3 mm | 22,5 mm |
| #12.13.536 | Black | 22 mm | 6,0 mm | 10 mm |
| #12.13.503 | Black | 20 mm | 6,3 mm | 3 mm |
| #12.13.508 | Black | 20 mm | 6,3 mm | 7,5 mm |
| #12.13.533 | Black | 20 mm | 8,4 mm | 10 mm |
| #12.13.538 | Black | 20 mm | 8,4 mm | 12,5 mm |
| #12.13.501 | Black | 20 mm | 10,5 mm | 3 mm |
| #12.13.507 | Black | 20 mm | 10,5 mm | 6 mm |
| #12.13.553 | Black | 20 mm | 10,5 mm | 20 mm |
| #12.13.670 | White | 30 mm | 6,3 mm | 10 mm |
| #12.13.554 | Black | 40 mm | 10,5 mm | 20 mm |

*Other sizes and colors on request.

Minimum quantity: 1000 pcs

INSEX KEYS

Material: Steel, Hardened

Hex: 4 mm

Finish: Bright Zinc Plated (BZP) or Black Zinc Plated

Type: L-shaped or Z-shaped

| Type | Size | Hex | Finish | Item No. |
|----------|------------|------|--------|-------------|
| L-shaped | 23 x 65 mm | 4 mm | Black | # 12.06.010 |
| L-shaped | 28 X 65 mm | 4 mm | BZP | # 12.06.015 |
| L-shaped | 31 X 75 mm | 5 mm | BZP | # 12.06.021 |
| Z-shaped | 37 X 48 mm | 4 mm | BZP | # 12.06.036 |
| Z-shaped | 39 X 48 mm | 5 mm | BZP | # 12.06.040 |

Z-shaped insex key



L-shaped insex key

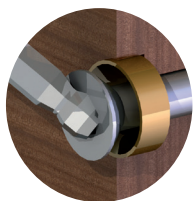
INSEX KEY W/BALL POINT

Material: Steel, Bright Zinc Plated

Hex: 4 mm

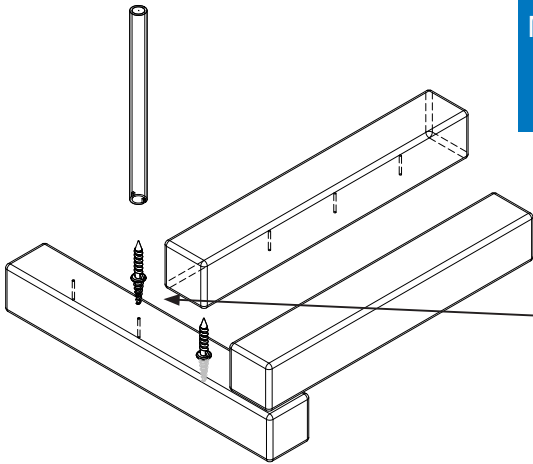
Type: L-shaped

| Type | Size | Hex | Finish | Item No. |
|----------|-------------|------|--------|-------------|
| L-shaped | 28 x 110 mm | 4 mm | BZP | # 12.06.061 |

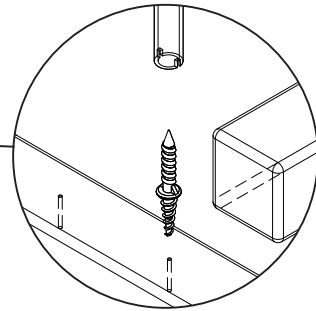


SCREWS

DOUBLE POINTED STEEL NAILS

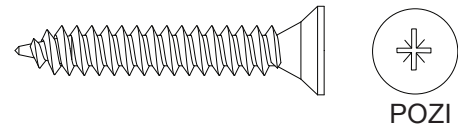


Application: As a concealed connector for slats
 Material: Steel, Yellow Zinc Plated
 Sizes: Ø 3,5 x 9 x 15 mm # 12.20.040
 Ø 4,0 x 13 x 18 mm # 12.20.050
 Mounting: By use of self-made steel tube with slot. Inner diameter Ø 3,5 - 4,0 mm. Tube is to be inserted into your drilling machine.



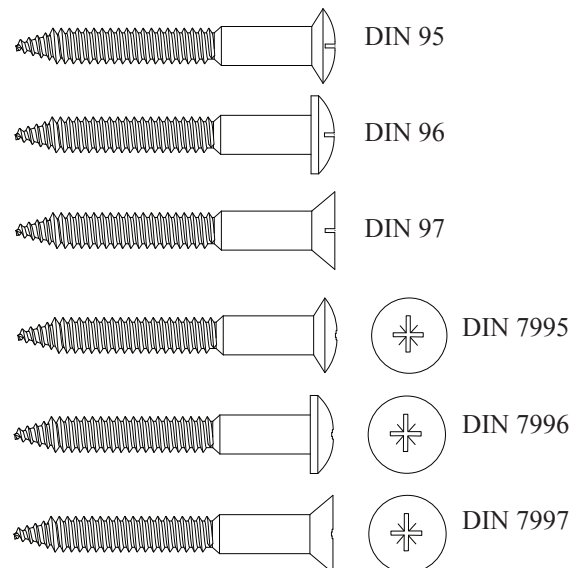
CHIPBOARD SCREWS DIN 7505

Material: Steel, Zinc Plated (other materials & finishes on request)
 Thread: From Ø 3 mm up to Ø 6 mm
 Lengths: From 12 mm up to 180 mm
 Type: Pozidrive with countersunk head (see illustration)
 Item No. # 11.10.511 etc.
 Packing: SISO box packing or bulk (see illustration)



WOOD SCREWS

Material: Brass, Natural, Stainless Steel, Natural Steel, Yellow Zinc Plated
 Diameter: From Ø 1,6 mm up to Ø 6,0mm
 Length: From 8 mm up to 120 mm
 Type: Slotted with oval head DIN 95, round head DIN 96 or countersunk head DIN 97
 Pozidrive with oval head DIN 7995, round head DIN 7996 or countersunk head DIN 7997
 Item No. 11.07.603 etc.

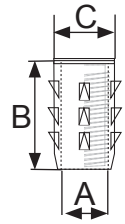


KNOCK IN BUSHING »A«

Material Zamak, Yellow Zinc Plated (YZP)

Type Knock in. No collar

| A | B | C | Finish | Item No. |
|----|-------|-------|--------|-------------|
| M4 | 10 mm | Ø5 mm | YZP | # 12.09.990 |

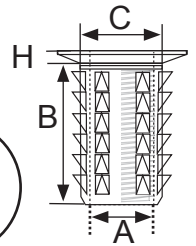
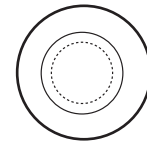


KNOCK IN BUSHING »BI«

Material Zamak, Yellow Zinc Plated (YZP)

Type Knock in. With countersunk collar

| A | B | C | H = Head | Finish | Item No. |
|----|-------|--------|------------|--------|-------------|
| M8 | 20 mm | Ø10 mm | Ø19 x 3 mm | YZP | # 12.10.000 |

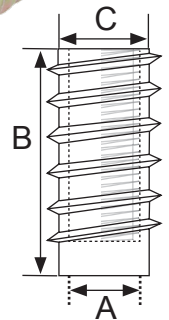
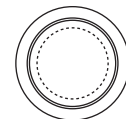


SCREW IN BUSHING »BL«

Material Steel, Yellow Zinc Plated (YZP)

Type Screw in by use of insert tool # 12.10.315.
Closed end & no collar

| A | B | C | Finish | Item No. |
|----|-------|----------|--------|-------------|
| M8 | 30 mm | Ø11,5 mm | YZP | # 12.10.179 |
| M8 | 39 mm | Ø11,5 mm | YZP | # 12.10.180 |

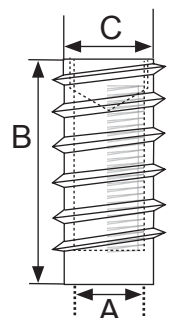
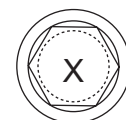


SCREW IN BUSHING »BL SK«

Material Steel, Yellow Zinc Plated (YZP)

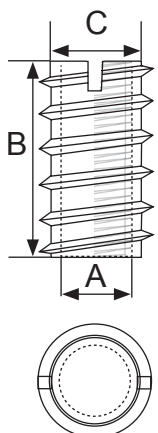
Type Screw in by use of hex key. Closed end & no collar

| A | B | C | X = Hex | Finish | Item No. |
|----|-------|----------|---------|--------|-------------|
| M8 | 30 mm | Ø11,5 mm | 8 mm | YZP | # 12.10.176 |
| M8 | 39 mm | Ø11,5 mm | 8 mm | YZP | # 12.10.177 |



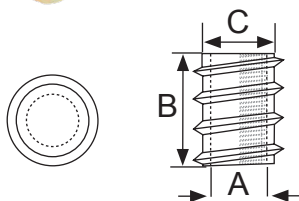
BUSHINGS

SCREW IN BUSHING »C«



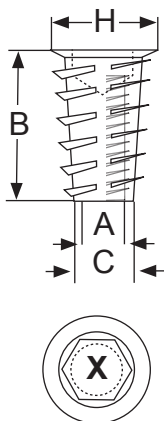
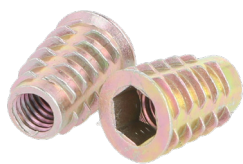
| | | | | | | | |
|-----------------|---------|---|--------------|----|---------|--------|-------------|
| Material | | Brass, Natural or Steel, Yellow Zinc Plated (YZP) or Bright Zinc Plated (BZP) | | | | | |
| Type | | Screw in with slot. No collar | | | | | |
| A | B | C | Brass | A | B | C | YZP |
| M4 | 8,0 mm | Ø4,75 mm | # 12.10.002 | M6 | 10 mm | Ø8 mm | # 12.10.075 |
| M6 | 14,5 mm | Ø8 mm | # 12.10.106 | M6 | 12 mm | Ø8 mm | # 12.10.095 |
| A | B | C | BZP | M6 | 14,5 mm | Ø8 mm | # 12.10.105 |
| M4 | 10 mm | Ø6 mm | # 12.10.008 | M6 | 24 mm | Ø9 mm | # 12.10.109 |
| M8 | 15 mm | Ø10 mm | # 12.10.151 | M8 | 20 mm | Ø10 mm | # 12.10.175 |

SCREW IN BUSHING »CV«



| | | | |
|-----------------|-------|---------------------------------------|-------------|
| Material | | Steel, Yellow Zinc Plated (YZP) | |
| Type | | Screw in by use of hex key. No collar | |
| A | B | C | YZP |
| M6 | 12 mm | Ø8 mm | # 12.10.096 |
| M6 | 15 mm | Ø8 mm | # 12.10.097 |

SCREW IN BUSHING »D«



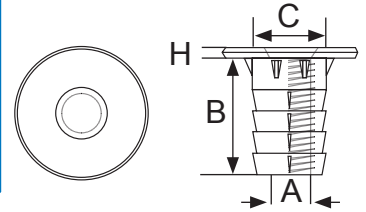
| | | | | | | |
|-----------------|-------|---|----------|--------|-------------|-------------|
| Material | | Zamak, Yellow Zinc Plated (YZP) | | | | |
| Type | | Screw in by use of hex key. With collar | | | | |
| A | B | C | H = Head | Finish | X = Hex | Item No |
| M4 | 10 mm | Ø5,5 mm | Ø8,5 mm | YZP | 4 x 3,5 mm | # 12.10.185 |
| M5 | 10 mm | Ø7 mm | Ø11 mm | YZP | 5 x 3,5 mm | # 12.10.186 |
| M6 | 10 mm | Ø8 mm | Ø12 mm | YZP | 6 x 3,5 mm | # 12.10.188 |
| M6 | 13 mm | Ø8 mm | Ø12 mm | YZP | 6 x 3,5 mm | # 12.10.191 |
| M6 | 16 mm | Ø8 mm | Ø12 mm | YZP | 6 x 3,5 mm | # 12.10.195 |
| M6 | 20 mm | Ø8 mm | Ø12 mm | YZP | 6 x 3,5 mm | # 12.10.211 |
| M8 | 13 mm | Ø10 mm | Ø14,5 mm | YZP | 8 x 4,5 mm | # 12.10.215 |
| M8 | 20 mm | Ø10 mm | Ø14,5 mm | YZP | 8 x 5,5 mm | # 12.10.217 |
| M10 | 25 mm | Ø12 mm | Ø16 mm | YZP | 10 x 7,0 mm | # 12.10.219 |

KNOCK IN BUSHING »DR«

Material Steel, Yellow Zinc Plated (YZP) or Bright Zinc Plated (BZP)

Type Knock in. With collar

| A | B | C | H = Head | YZP | BZP |
|-----|-------|----------|--------------|-------------|-------------|
| M6 | 14 mm | Ø8,3 mm | Ø14 x 1,5 mm | On request | # 12.10.711 |
| M8 | 16 mm | Ø10,5 mm | Ø19 x 2,5 mm | On request | # 12.10.720 |
| M10 | 17 mm | Ø12,5 mm | Ø22 x 2,5 mm | # 12.10.730 | # 12.10.731 |

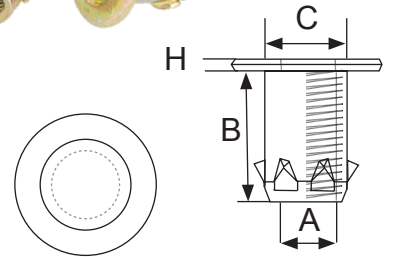


KNOCK IN BUSHING »DRN«

Material Steel, Yellow Zinc Plated (YZP) or Bright Zinc Plated (BZP)

Type Knock in. With collar

| A | B | C | H = Head | YZP |
|----|-------|---------|------------|-------------|
| M6 | 14 mm | Ø8,5 mm | Ø15 x 2 mm | # 12.10.712 |

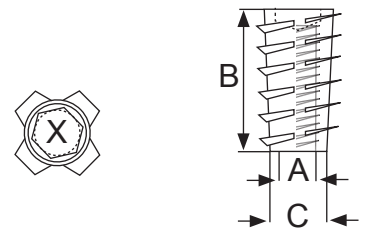
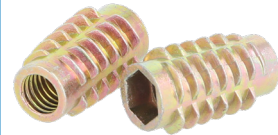


SCREW IN BUSHING »E«

Material Zamak, Yellow Zinc Plated (YZP)

Type Screw in by use of hex key. No collar

| A | B | C | X = Hex | Item NO. |
|----|-------|----------|------------|-------------|
| M6 | 13 mm | Ø7,5 mm | 6 x 4,5 mm | # 12.10.222 |
| M6 | 20 mm | Ø7,5 mm | 6 x 5,7 mm | # 12.10.223 |
| M8 | 13 mm | Ø10,5 mm | 8 x 5,0 mm | # 12.10.225 |
| M8 | 20 mm | Ø10,5 mm | 8 x 5,5 mm | # 12.10.226 |
| M8 | 25 mm | Ø10,5 mm | 8 x 5,5 mm | # 12.10.227 |

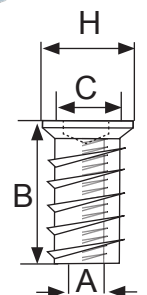


SCREW IN BUSHING »M«

Material Steel, Bright Zinc Plated (BZP)

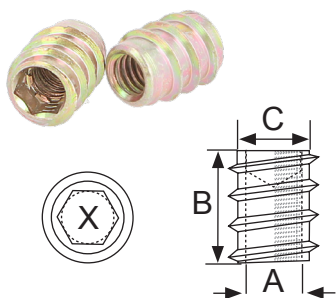
Type Screw in by use of hex key. With countersunk collar

| A | B | C | X = Hex | H = Head | Item No. |
|-----|-------|--------|-----------|----------|-------------|
| M6 | 12 mm | Ø8 mm | 6 X 2 mm | Ø9,8 mm | # 12.10.258 |
| M6 | 12 mm | Ø8 mm | 6 X 3 mm | Ø12 mm | # 12.10.259 |
| M6 | 15 mm | Ø8 mm | 6 X 3 mm | Ø12 mm | # 12.10.260 |
| M6 | 20 mm | Ø8 mm | 6 X 3 mm | Ø12 mm | # 12.10.265 |
| M8 | 15 mm | Ø10 mm | 8 X 3 mm | Ø14 mm | # 12.10.270 |
| M8 | 20 mm | Ø10 mm | 8 X 3 mm | Ø14 mm | # 12.10.290 |
| M8 | 24 mm | Ø10 mm | 8 X 3 mm | Ø14 mm | # 12.10.292 |
| M10 | 20 mm | Ø13 mm | 10 X 3 mm | Ø17 mm | # 12.10.293 |



BUSHINGS

SCREW IN BUSHING »SK«

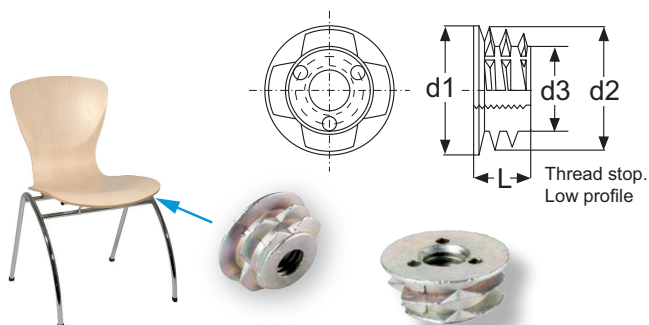


Material Steel, Yellow Zinc Plated (YZP) or Zamak (YZP)

Type Screw in by use of hex key. No collar

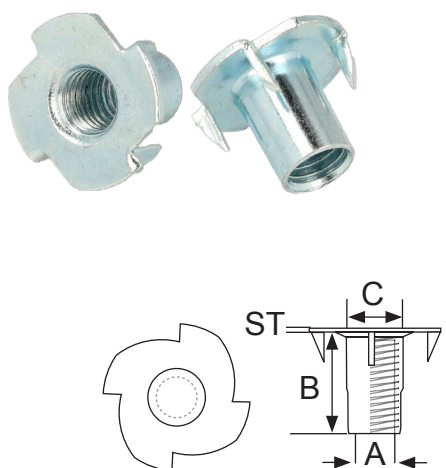
| A | B | C | X = Hex | YZP | Material |
|----|---------|----------|------------|-------------|----------|
| M6 | 13,5 mm | Ø8,25 mm | 6 x 3 mm | # 12.10.460 | Steel |
| M6 | 15 mm | Ø8,5 mm | 6 x 4,5 mm | # 12.10.461 | Zamak |

LOW PROFILE SCREW IN BUSHING



| | |
|-----------------|---------------|
| Thread size | M6x1 |
| d1 | 16 mm |
| d2 | 15,1 mm |
| d3 | 10,2 mm |
| L | 7 mm |
| Pilot hole size | Ø12,7-13,1 mm |

»T-NUT«



Material Steel, Bright Zinc Plated (BZP) or Plain

ST = Steel Thickness

Type Knock in, 4 Prongs

| A | B | C | ST | Item No. | Finish |
|-----|-------|-----------|--------|-------------|--------|
| M4 | 5 mm | Ø6,5 mm | 0,8 mm | # 12.11.001 | BZP |
| M5 | 8 mm | Ø6,5 mm | 0,8 mm | # 12.11.006 | BZP |
| M6 | 8 mm | Ø7,5 mm | 1,2 mm | # 12.11.011 | BZP |
| M6 | 11 mm | Ø7,5 mm | 1,2 mm | # 12.11.014 | BZP |
| M6 | 15 mm | Ø7,5 mm | 1,2 mm | # 12.11.017 | BZP |
| M8 | 10 mm | Ø9,5 mm | 1,2 mm | # 12.11.019 | BZP |
| M8 | 15 mm | Ø9,5 mm | 1,5 mm | # 12.11.021 | Plain |
| M10 | 11 mm | Ø9,5 mm | 1,5 mm | # 12.11.024 | BZP |
| M10 | 16 mm | Ø11,75 mm | 1,6 mm | # 12.11.027 | BZP |

TOOL FOR INSERTING SCREW IN BUSHING

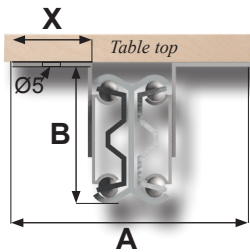
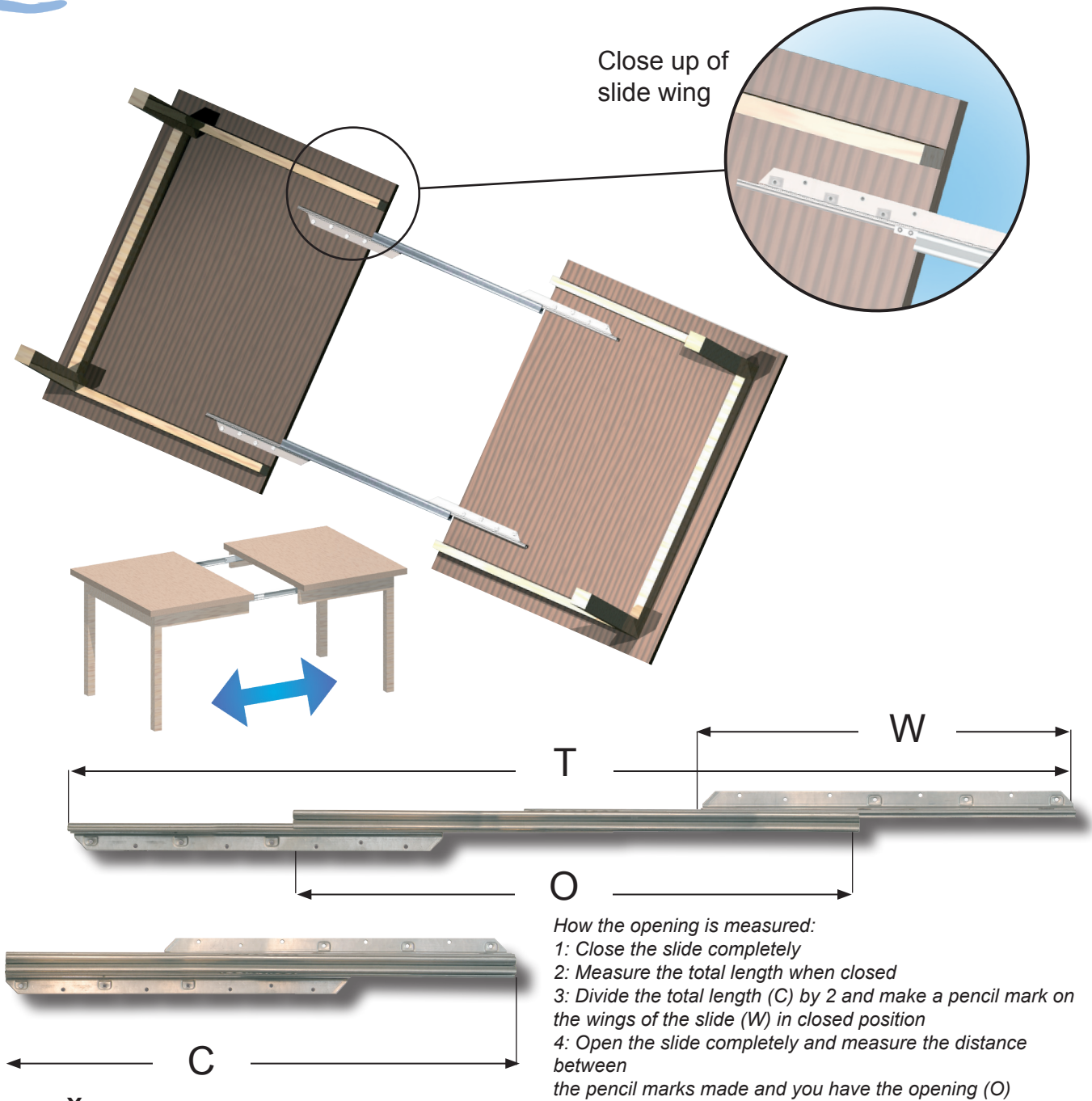


Material Steel

Type Tool for inserting screw in bushing

| Thread | Item No. |
|--------|-------------|
| M6 | # 12.10.305 |
| M8 | # 12.10.315 |
| M10 | # 12.10.320 |

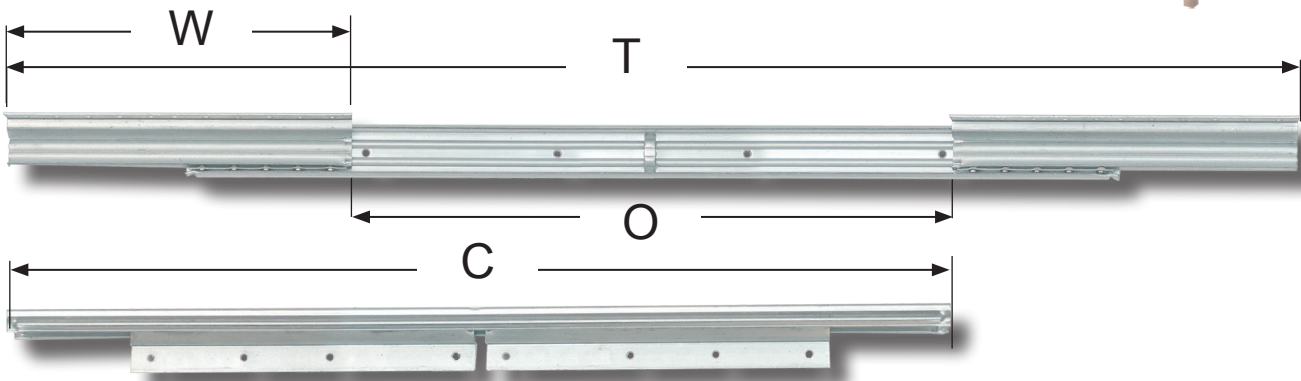
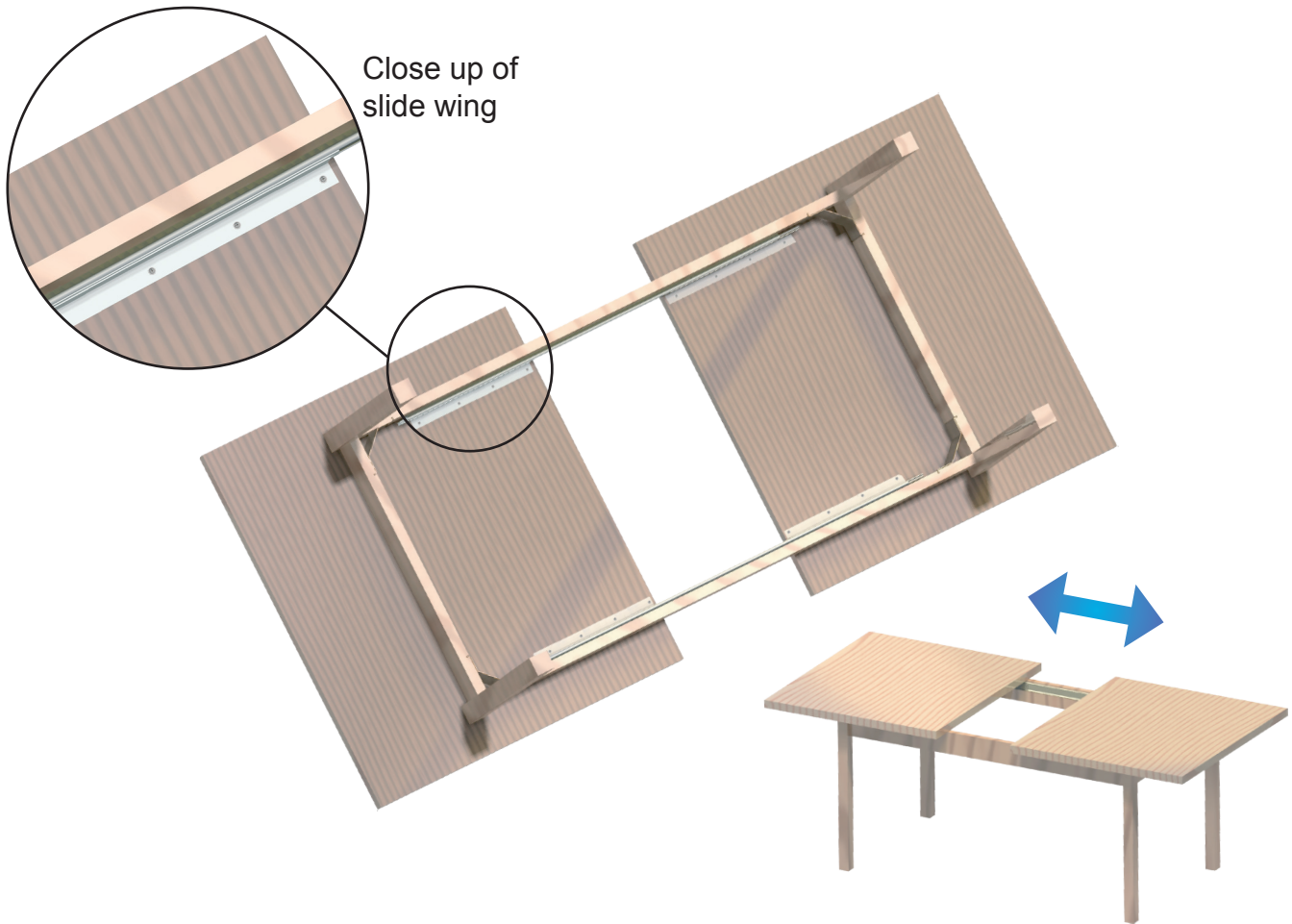
SPLIT FRAME



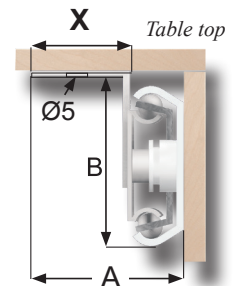
* Illustration only for measurement use

| | Model Split Steel - Zinc Plated | | | | |
|-------------------|------------------------------------|-----------|-----------|-----------|-----------|
| Opening (O) | 530 | 640 | 850 | 950 | 1050 |
| Closed Length (C) | 400 | 450 | 560 | 660 | 740 |
| Total Length (T) | 850 | 1090 | 1420 | 1620 | 1860 |
| Wing Size (W) | 350 | 370 | 550 | 550 | 650 |
| Slide Width (A) | 70 | 70 | 72 | 72 | 72 |
| Slide Height (B) | 40 | 40 | 47 | 47 | 47 |
| Wing Width (X) | 22 | 22 | 22 | 22 | 22 |
| Load Capacity | 60 kg. | 60 kg. | 90 kg. | 90 kg. | 90 kg. |
| Item No.: | 24.01.005 | 24.01.013 | 24.01.019 | 24.01.029 | 24.01.042 |

Other sizes on request

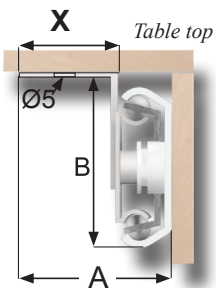
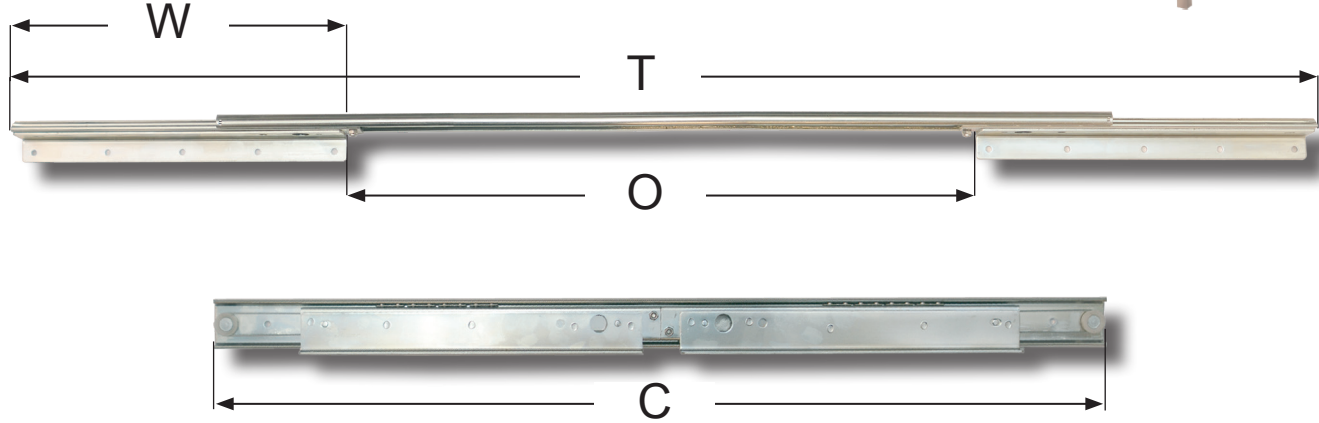
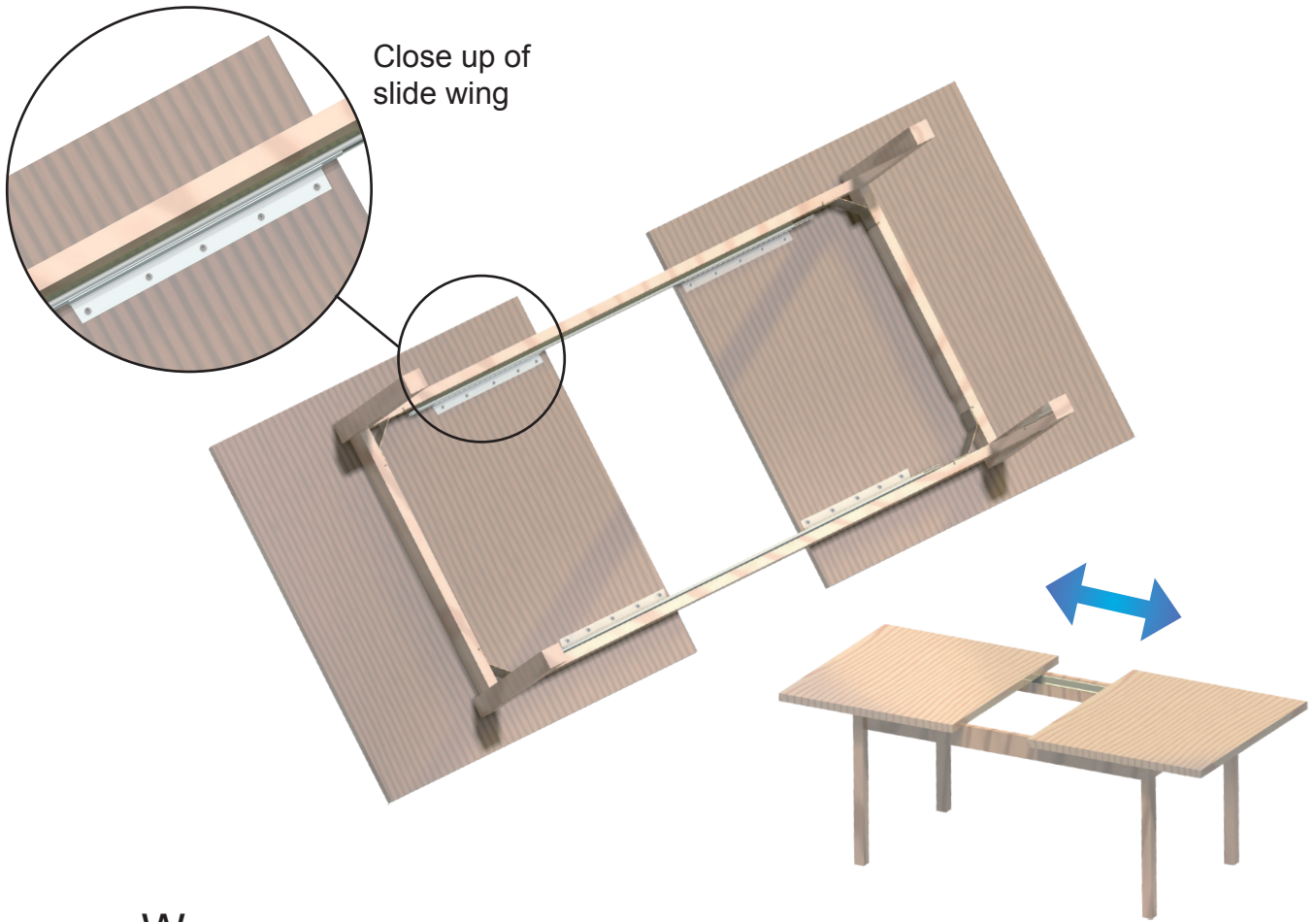


| In mm | Model Top Slide 9097 Steel - Zinc Plated | | | | | |
|-------------------|---|-----------|-----------|-----------|-----------|-----------|
| Opening (O) | 430 | 480 | 530 | 640 | 1020 | 1060 |
| Closed Length (C) | 600 | 650 | 700 | 800 | 1300 | 900 |
| Total Length (T) | 880 | 990 | 1050 | 1250 | 1860 | 1735 |
| Wing Size (W) | 220 | 246 | 246 | 280 | 420 | 315 |
| Slide Width (A) | 32 | 32 | 32 | 32 | 32 | 32 |
| Slide Height (B) | 38 | 38 | 38 | 38 | 38 | 40 |
| Wing Width (X) | 21 | 21 | 21 | 21 | 21 | 21 |
| Load Capacity | 45 kg. | 45 kg. | 45 kg. | 45 kg. | 45 kg. | 45 kg. |
| Item No.: | 24.05.013 | 24.05.024 | 24.05.037 | 24.05.051 | 24.05.085 | 24.05.100 |



* Illustration only
for measurement use

Other sizes on request



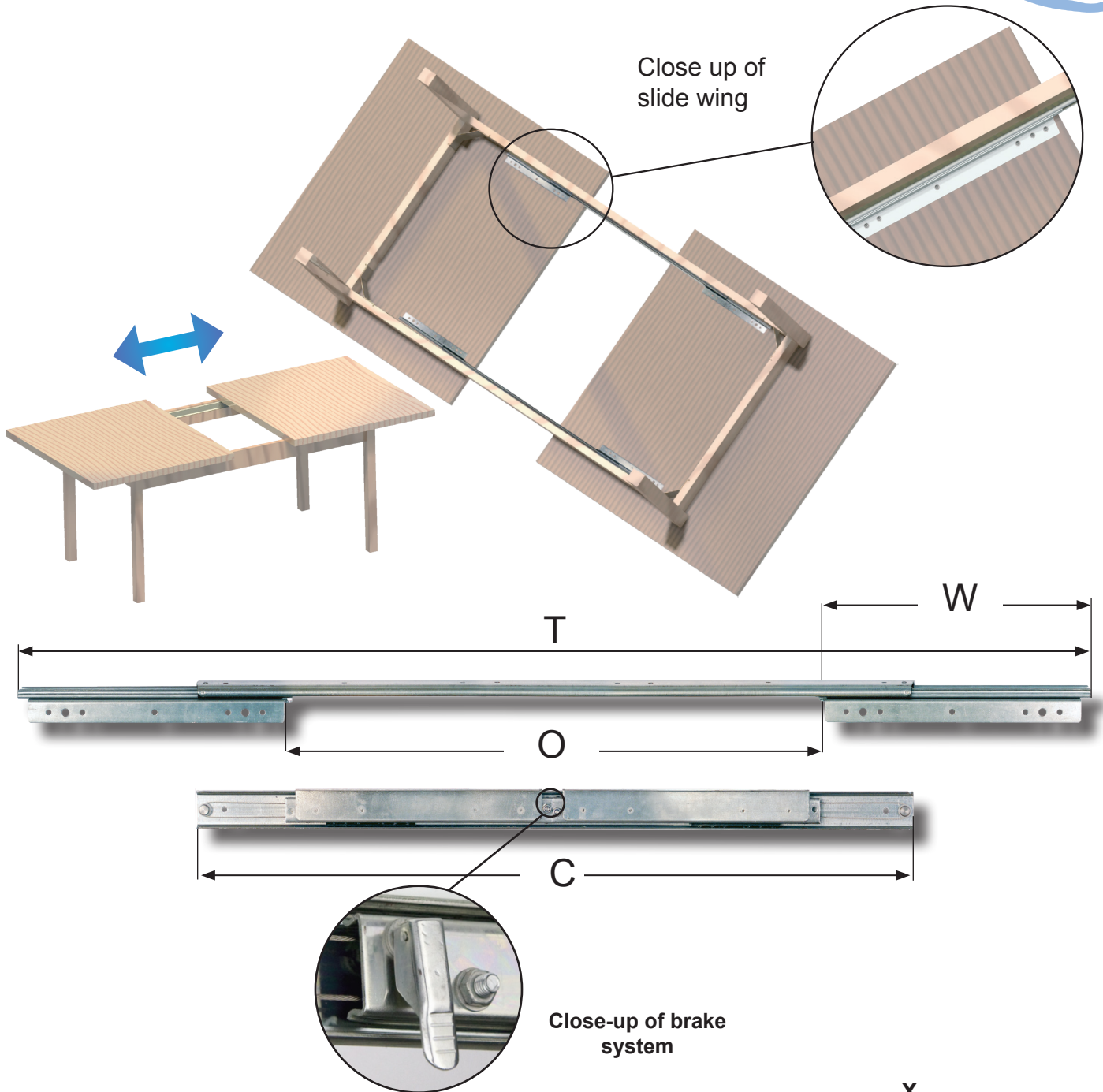
** Illustration only for measurement use*

| In mm | Model Synchronic »Budget« Steel - Zinc Plated | | | | | |
|-------------------|---|-----------|-----------|-----------|-----------|-----------|
| Opening (O) | 420 | 470 | 518 | 570 | 631 | 1020 |
| Closed Length (C) | 627 | 675 | 725 | 777 | 838 | 1227 |
| Total Length (T) | 1003 | 1051 | 1101 | 1153 | 1214 | 1859 |
| Wing Size (W) | 276 | 276 | 276 | 276 | 276 | 404 |
| Slide Width (A) | 34 | 34 | 34 | 34 | 34 | 34 |
| Slide Height (B) | 43 | 43 | 43 | 43 | 43 | 43 |
| Wing Width (X) | 21 | 21 | 21 | 21 | 21 | 21 |
| Load Capacity | 45 kg. | 45 kg. | 45 kg. | 45 kg. | 45 kg. | 45 kg. |
| Item No.: | 24.03.530 | 24.03.543 | 24.03.547 | 24.03.548 | 24.03.551 | 24.03.560 |

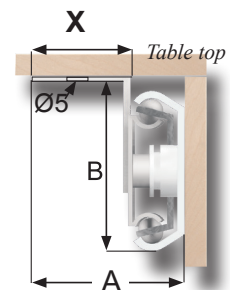
Other sizes on request

SYNCHRONIC SLIDE WITH BRAKE

- high quality furniture fittings



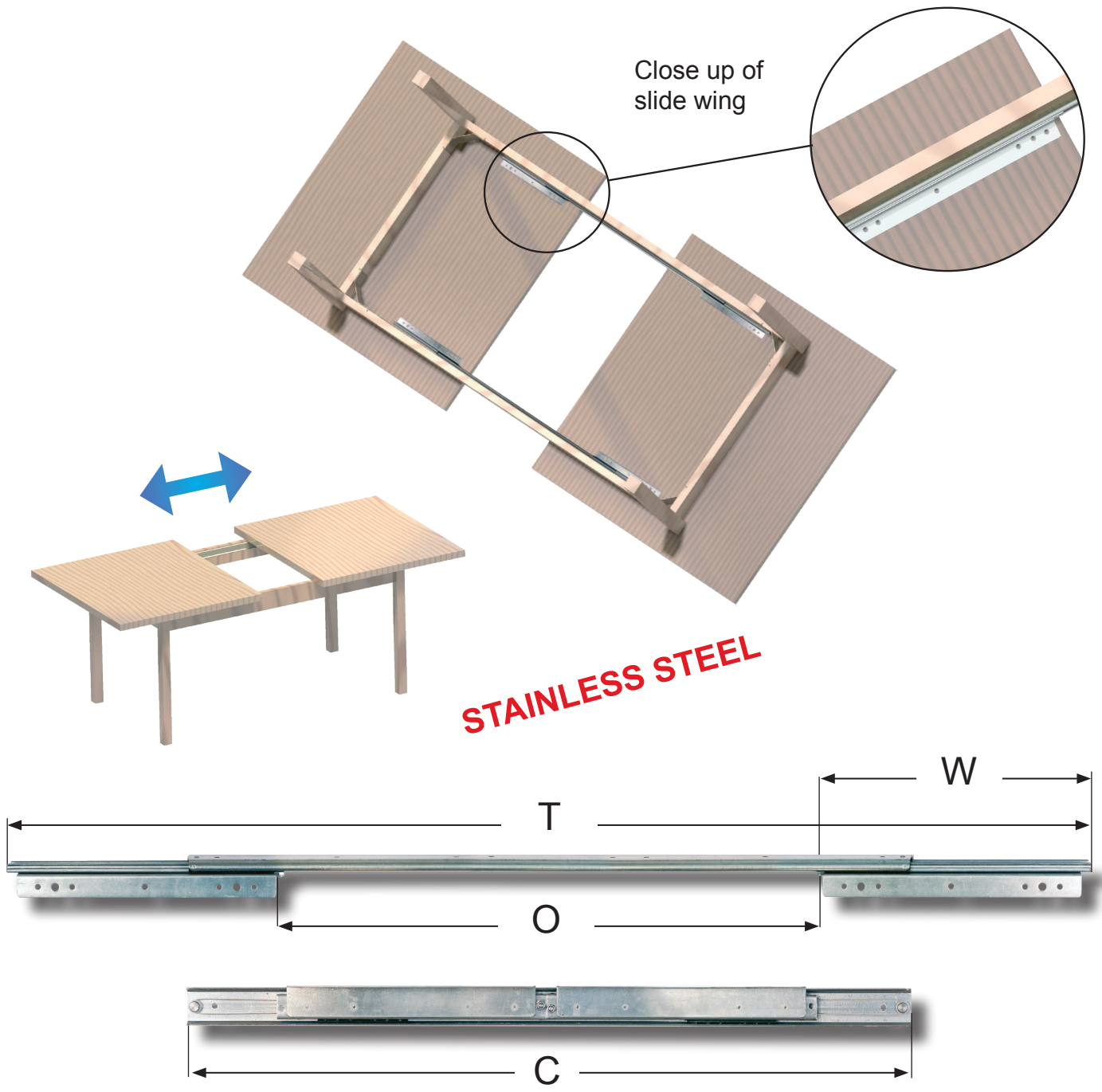
| In mm | Model Synchronic "Brake" Steel - Zinc Plated | | | | |
|-------------------|---|-----------|-----------|-----------|-----------|
| Opening (O) | 407 | 507 | 607 | 907 | 1007 |
| Closed Length (C) | 610 | 700 | 800 | 1250 | 1250 |
| Total Length (T) | 900 | 1040 | 1220 | 1660 | 1830 |
| Wing Size (W) | 240 | 240 | 305 | 370 | 370 |
| Slide Width (A) | 33 | 33 | 33 | 39 | 39 |
| Slide Height (B) | 40 | 40 | 40 | 49 | 49 |
| Wing Width (X) | 20 | 20 | 20 | 22 | 22 |
| Load Capacity | 60 kg. | 60 kg. | 60 kg. | 90 kg. | 90 kg. |
| Item No.: | 24.03.572 | 24.03.580 | 24.03.586 | 24.03.590 | 24.03.595 |



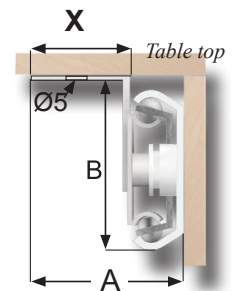
** Illustration only
for measurement use*

Other sizes on request

SYNCHRONIC SLIDE »SS-304«



| In mm | Model Synchronic »SS-304« Stainless Steel - 304 |
|-------------------|--|
| Opening (O) | 1020 |
| Closed Length (C) | 1250 |
| Total Length (T) | 1830 |
| Wing Size (W) | 370 |
| Slide Width (A) | 34,50 |
| Slide Height (B) | 39 |
| Wing Width (X) | 20 |
| Load Capacity | 60 kg. |
| Item No.: | 24.03.559 |



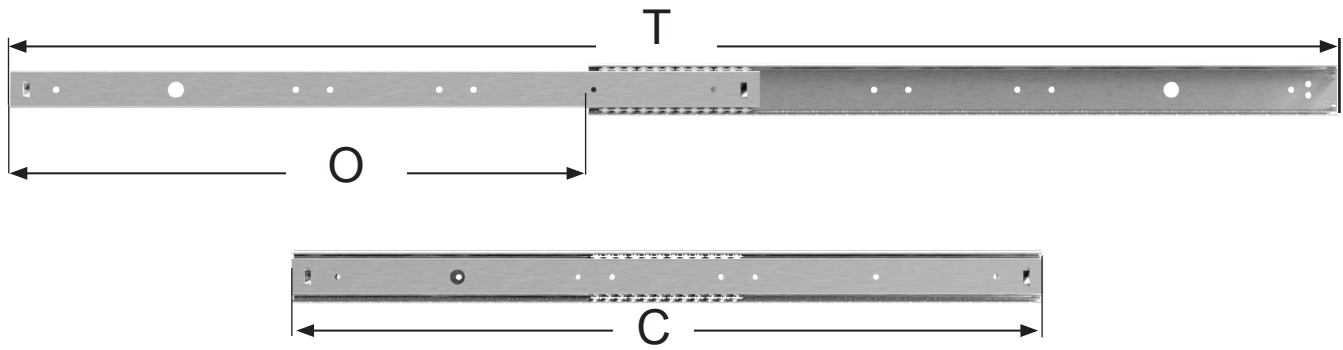
** Illustration only
for measurement use*

Other sizes on request

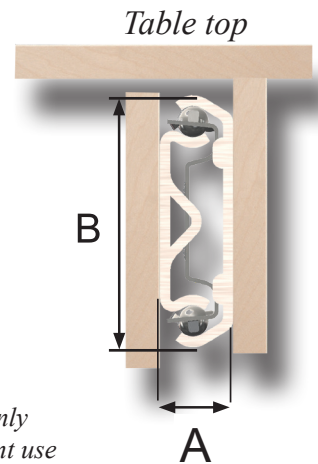
FRONT SLIDE »SS-304«

- high quality furniture fittings

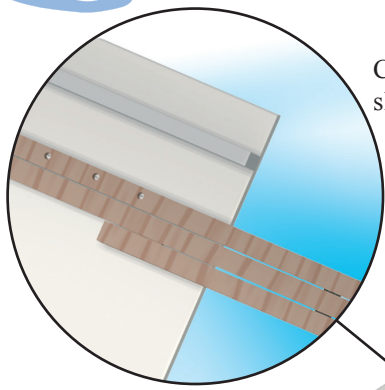
SISO DENMARK



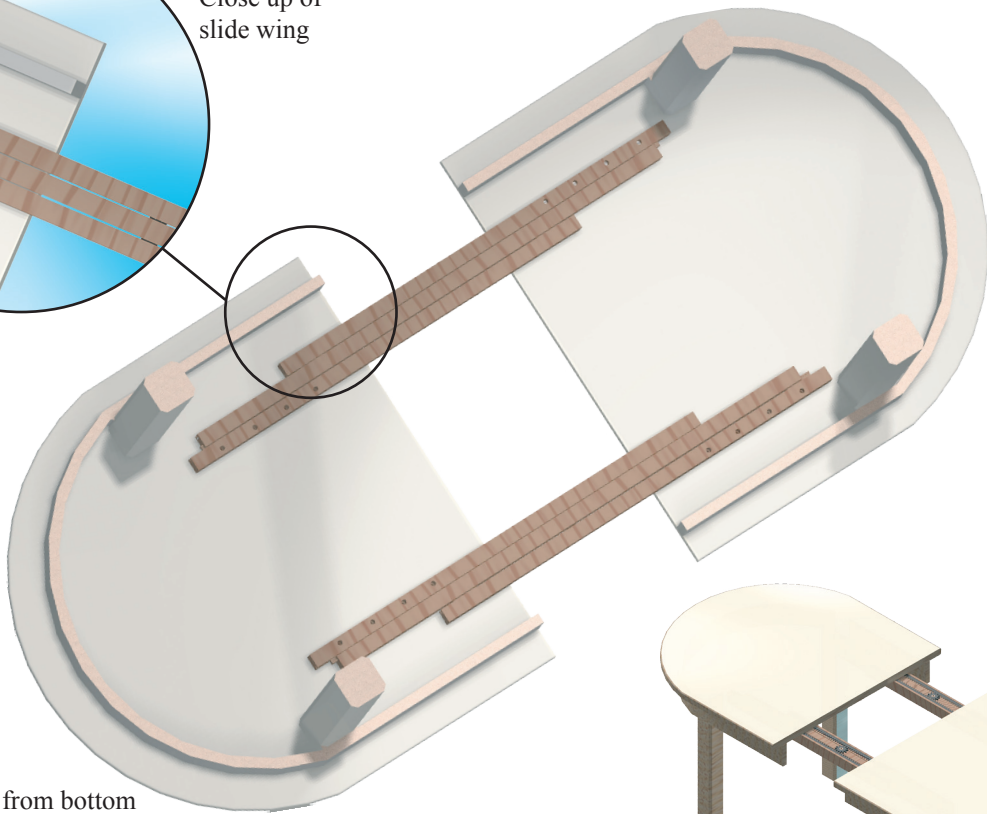
| In mm | Model Front Slide »SS-304« Stainless Steel - 304 | |
|-------------------|---|-----------|
| Opening (O) | 548 | 560 |
| Closed Length (C) | 700 | 750 |
| Total Length (T) | 1248 | 1310 |
| Slide Width (A) | 14 | 14 |
| Slide Height (B) | 48 | 48 |
| Load Capacity | 90 kg. | 90 kg. |
| Item No.: | 24.02.149 | 24.02.150 |



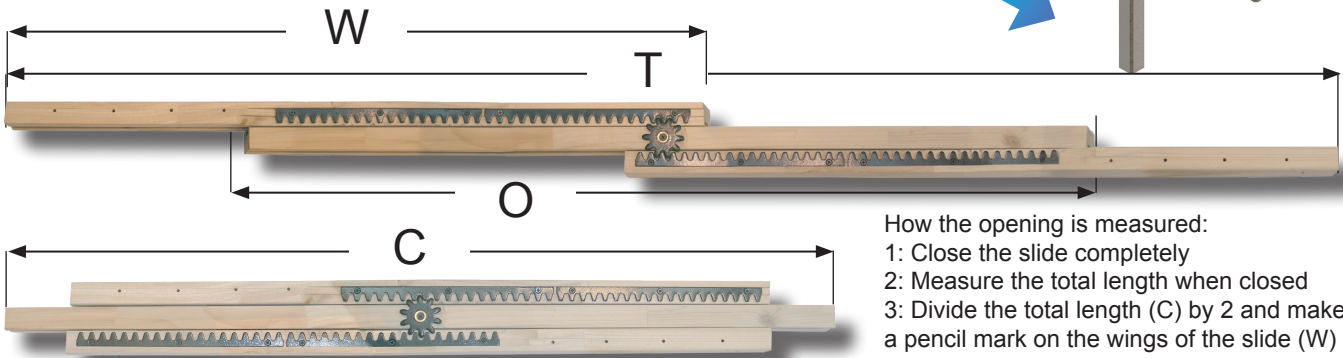
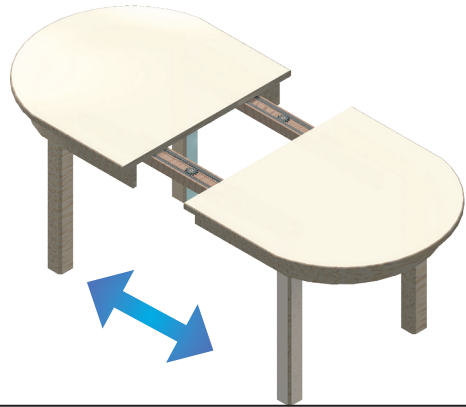
* Illustration only
for measurement use



Close up of slide wing



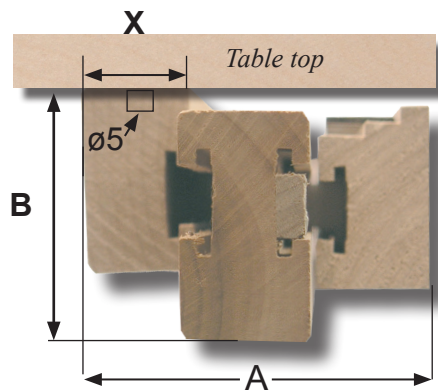
Right:
Table shown from bottom



How the opening is measured:

- 1: Close the slide completely
- 2: Measure the total length when closed
- 3: Divide the total length (C) by 2 and make a pencil mark on the wings of the slide (W)
- 4: Open the slide completely and measure the distance between the pencil marks made and you have the opening (O)

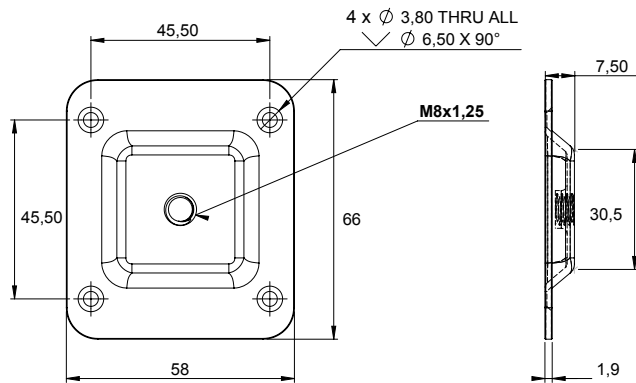
| In mm | Wood Slide »Split« Durian Wood Hard Plastic Worm Gear | | |
|-------------------|---|-----------|-----------|
| Opening (O) | 650 | 960 | 1035 |
| Closed Length (C) | 685 | 1060 | 1060 |
| Total Length (T) | 1340 | 2015 | 2082 |
| Wing size (W) | 683 | 1055 | 1055 |
| Slide Width (A) | 90 | 90 | 90 |
| Slide Height (B) | 60 | 60 | 60 |
| Wing Width (X) | 28 | 28 | 28 |
| Item No.: | 24.02.549 | 24.02.551 | 24.02.552 |



* Illustration only
for measurement use

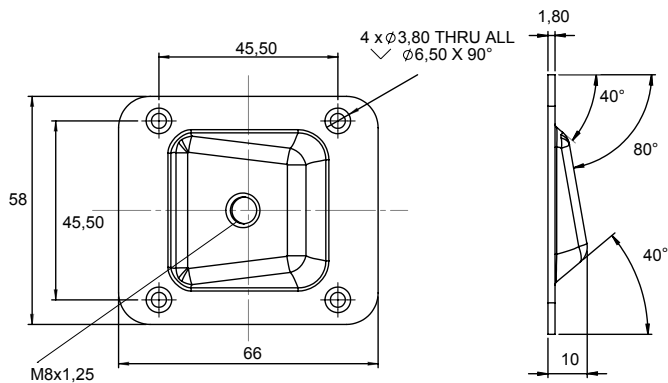
LEG BRACKET - FLAT

Material: Steel, Bright Zinc Plated
 Size: 66 x 58 x 1,8 mm
 Hole: M8
 Item No.: # 06.11.151



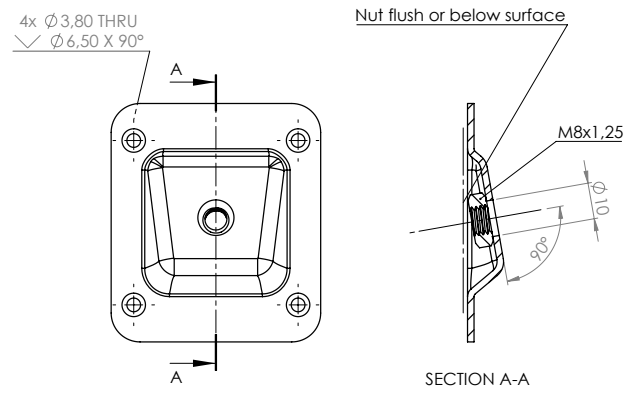
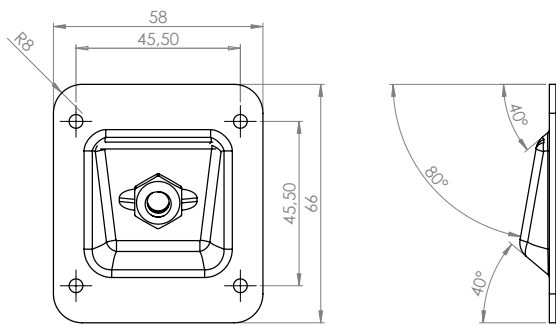
LEG BRACKET - 10 DEGREE ANGLE

Material: Steel, Bright Zinc Plated
 Size: 66 x 58 x 1,8 mm
 Hole: M8
 Item No.: # 06.11.150



LEG BRACKET - 10 DG - W/HEX NUT

Material: Steel, Bright Zinc Plated
 Size: 66 x 58 x 1,8 mm
 Hole: M8
 Item No.: # 06.11.152

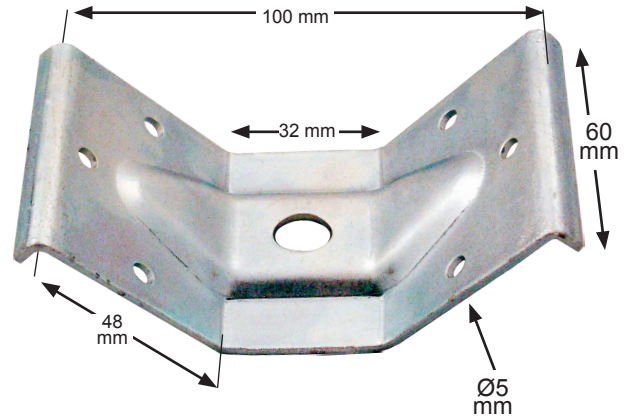


LEG CORNER BRACKETS

MODEL 21

Height: 60mm 1 Hole f/M8 or M10 Bolt

Steel thickness 1,5mm:
 Steel, Yellow Zinc, 6 micron # 11.07.035
 Steel, Bright Zinc # 11.07.030

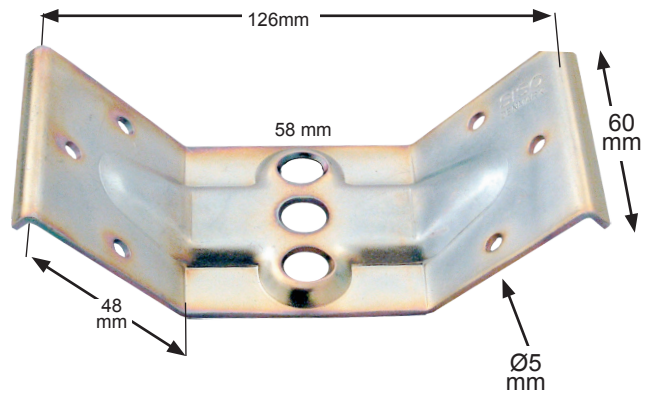


MODEL 22

Height: 60mm 1 or 3 Holes f/M8 or M10 Bolt

1 Hole:
 Steel thickness 2,0mm:
 Steel, Yellow Zinc, 6 micron # 11.07.042
 Steel, Bright Zinc # 11.07.040

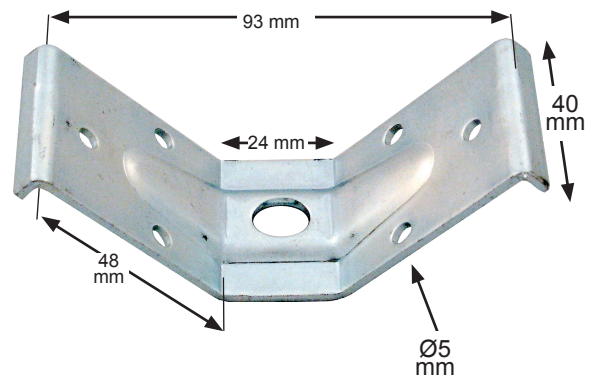
3 Holes:
 Steel thickness 2,0mm:
 Steel, Yellow Zinc, 8 micron # 11.07.043
 Steel, Bright Zinc # 11.07.041



MODEL 23

Height: 40mm 1 Hole f/M8 or M10 Bolt

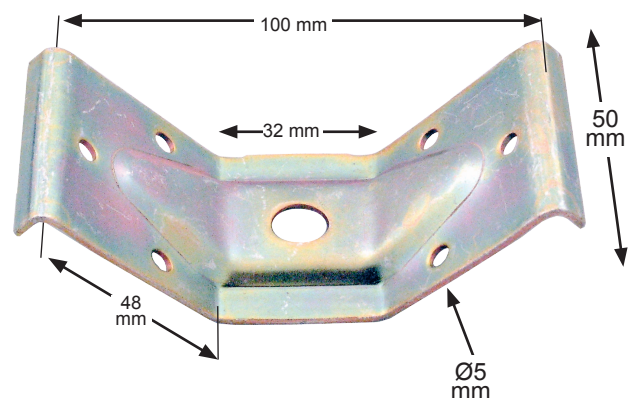
Steel thickness 1,5mm:
 Steel, Yellow Zinc, 6 micron # 11.07.051
 Steel, Bright Zinc # 11.07.050



MODEL 26

Height: 50mm 1 Hole f/M8 or M10 Bolt

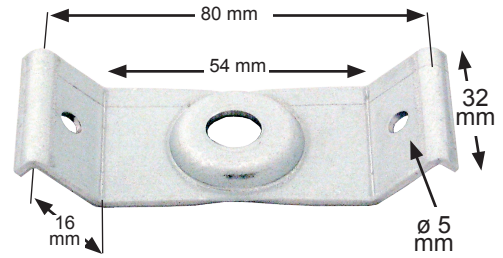
Steel thickness 2,0mm:
 Steel, Yellow Zinc, 6 micron # 11.07.066
 Steel, Bright Zinc # 11.07.065



MODEL 27

Height: 32mm 1 Hole f/M8 or M10 Bolt

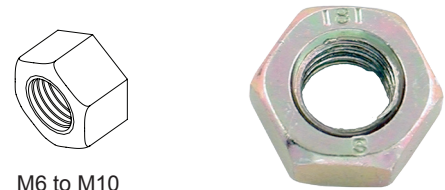
Steel thickness 2,0mm: Item No.:
Steel, Bright Zinc # 11.07.070



HEXAGONAL NUT DIN 934

Material: Steel
Finish: Yellow Zinc or Bright Zinc

Size: Item No.:
M6 # 12.11.905/906
M8 # 12.12.015/16
M10 # 12.12.026/27



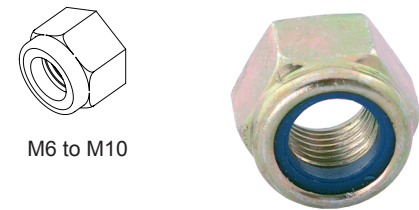
M6 to M10

M6 to M10

HEXAGONAL NUT WITH NYLON RING DIN 985

Material: Steel and nylon
Finish: Yellow Zinc or Bright Zinc
(Stainless Steel on request)

Size: Item No.:
M6 # 12.12.421
M8 # 12.12.440
M10 # 12.12.445



M6 to M10

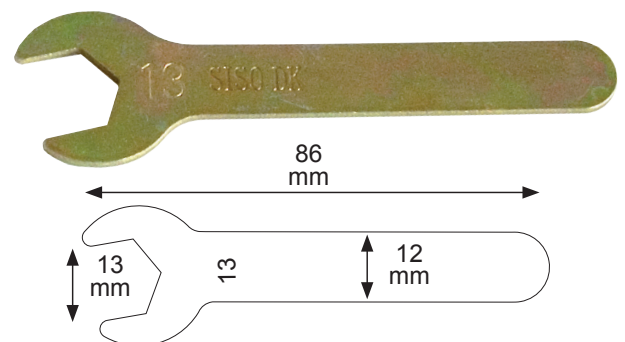
M6 to M10

WRENCH KEY F/HEX NUTS

Material: Steel Yellow Zinc Plated

Hex: 8 mm (others on request)

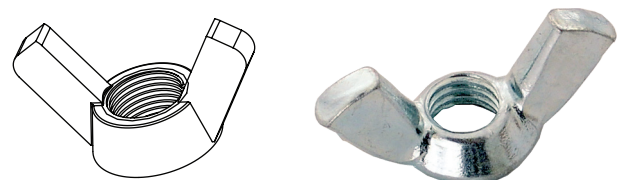
Item No.: Hardened steel # 12.06.155
Unhardened steel # 12.06.150



WING NUT

Material: Steel
Finish: Yellow Zinc or Bright Zinc

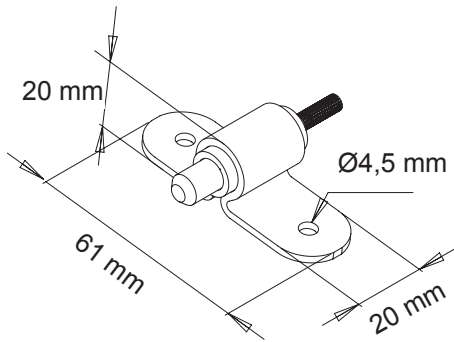
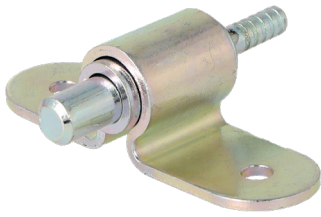
Size: Item No.:
M6 # 12.12.050/51
M8 # 12.12.055/58
M10 # 12.12.060/61



M6 to M10

LOCKING PIN & HOOKS

LOCKING PIN »CEPACOMO«



| | |
|---------------------|--------------------------------------|
| Material: | Steel |
| Size: | Body: 20 x 61 mm Pin: Ø 8 x 11 mm |
| Screw holes: | Ø 4,5 mm |
| Finish: Yellow Zinc | # 04.05.150 |

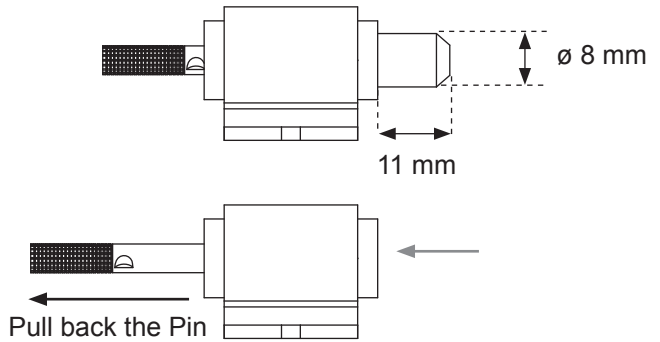


TABLE HOOK »DE LUXE«

| | |
|-----------------------|----------------|
| Material: | Zamak |
| Total Size: | 23,5 x 53,5 mm |
| Hook opening: | 7 mm |
| Screw hole: | Ø 4 mm |
| Finish: Nickel Plated | # 24.03.085 |
| Yellow Zinc | # 24.03.086 |

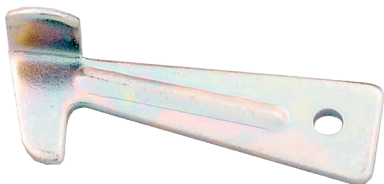
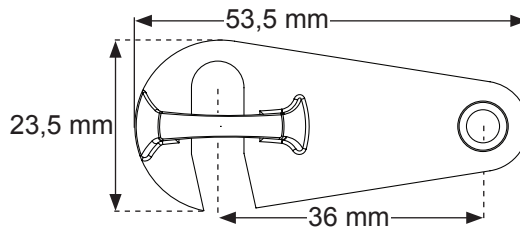
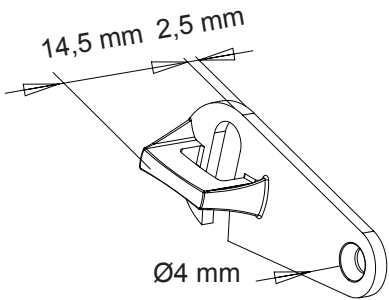
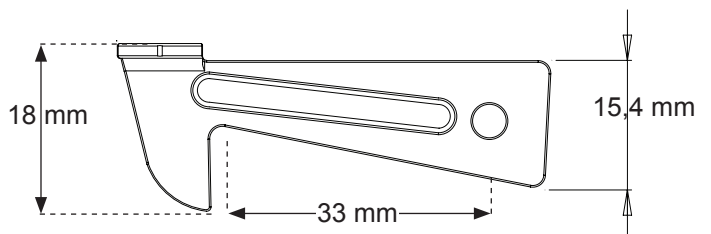
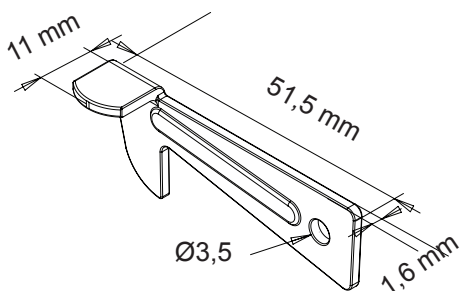


TABLE HOOK »# 7864«

| | |
|---------------------|---------------|
| Material: | Steel 1,60 mm |
| Total Size: | 18 x 51,5 mm |
| Screw hole: | Ø 3,5 mm |
| Finish: Yellow Zinc | # 24.03.080 |

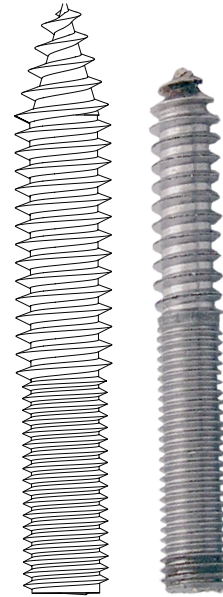


HANGERBOLTS

Material: Steel
Finish: Yellow Zinc or Bright Zinc

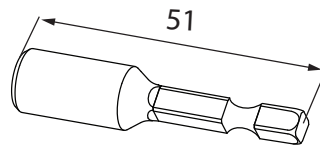
| Size | Item No.: | Size | Item No.: |
|------------|----------------|--------------|----------------|
| M4 x 25 mm | # 12.13.000 | M8 x 100 mm | # 12.13.037/38 |
| M4 x 50 mm | # 12.13.001 | M10 x 50 mm | # 12.13.150 |
| M6 x 50 mm | # 12.13.006/08 | M10 x 60 mm | # 12.13.160/61 |
| M6 x 60 mm | # 12.13.016/17 | M10 x 70 mm | # 12.13.170 |
| M8 x 50 mm | # 12.13.022/23 | M10 x 80 mm | # 12.13.180 |
| M8 x 60 mm | # 12.13.027 | M10 x 90 mm | # 12.13.190 |
| M8 x 70 mm | # 12.13.031/32 | M10 x 100 mm | # 12.13.200 |
| | | M10 x 120 mm | # 12.13.205 |

Other sizes on request

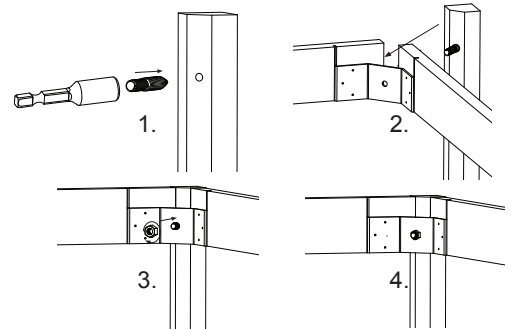


TOOL FOR INSERTING HANGERBOLTS

| Size | Item No.: |
|------|-------------|
| M6 | # 12.13.100 |
| M8 | # 12.13.105 |
| M10 | # 12.13.115 |



M4 to M10



HANGERBOLTS in SS-304

Material: SS-304
Finish: Natural

| Size | Item No.: |
|---------|-------------|
| M8 x 80 | # 12.13.034 |
| M8 x 90 | # 12.13.039 |

Other sizes on request



WASHERS

Material: Steel, Yellow Zinc Plated or Bright Zinc Plated
Brass, Natural
Stainless Steel, Natural

Sizes: Inner diameter 6,4/8,4 & 10,5 mm

Type: Flat washer DIN 125-A
Spring washer DIN 127
Serrated lock washer DIN 6798A

Item No. 12.13.294 etc.

Spring washer

Serrated lock washer

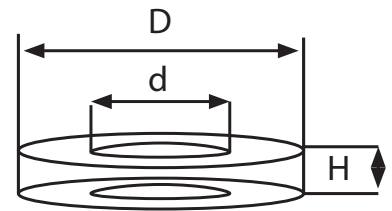
Flat washer



NYLON WASHERS

Material: Polyamid (PA), natural.

| Item - number | D diameter | d diameter | H height |
|---------------|---------------|---------------|-------------|
| #12.13.455 | 6 mm | 2,5 mm | 0,5 mm |
| #12.13.456 | 8 mm | 4,3 mm | 1,5 mm |
| #12.13.458 | 13 mm | 8,6 mm | 2 mm |
| #12.13.460 | 17 mm | 8,6 mm | 2 mm |
| #12.13.461 | 17 mm | 8,4 mm | 1,5 mm |
| #12.13.470 | 20 mm | 10,5 mm | 2 mm |
| #12.13.471 | 20 mm | 13 mm | 2 mm |
| #12.13.475 | 20 mm | 10,5 mm | 2,5 mm |
| #12.13.476 | 20 mm | 10,5 mm | 2,5 mm |
| #12.13.480 | 24 mm | 13 mm | 2,5 mm |
| #12.13.500 | 30 mm | 17 mm | 3 mm |

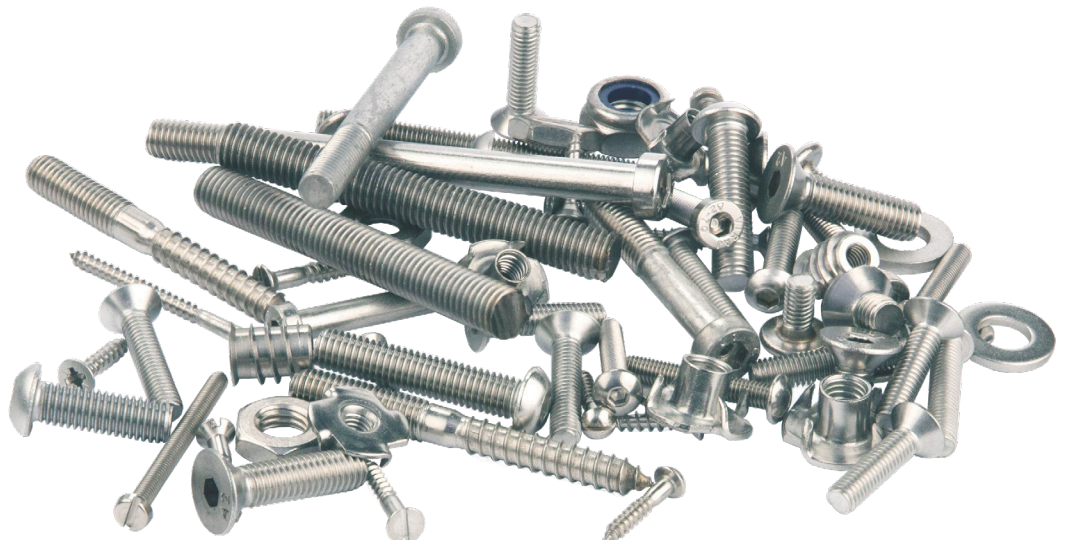


*Other sizes and colors on request.

Minimum quantity: 1000 pcs

VARIOUS STAINLESS STEEL SCREWS, NUTS & WASHERS

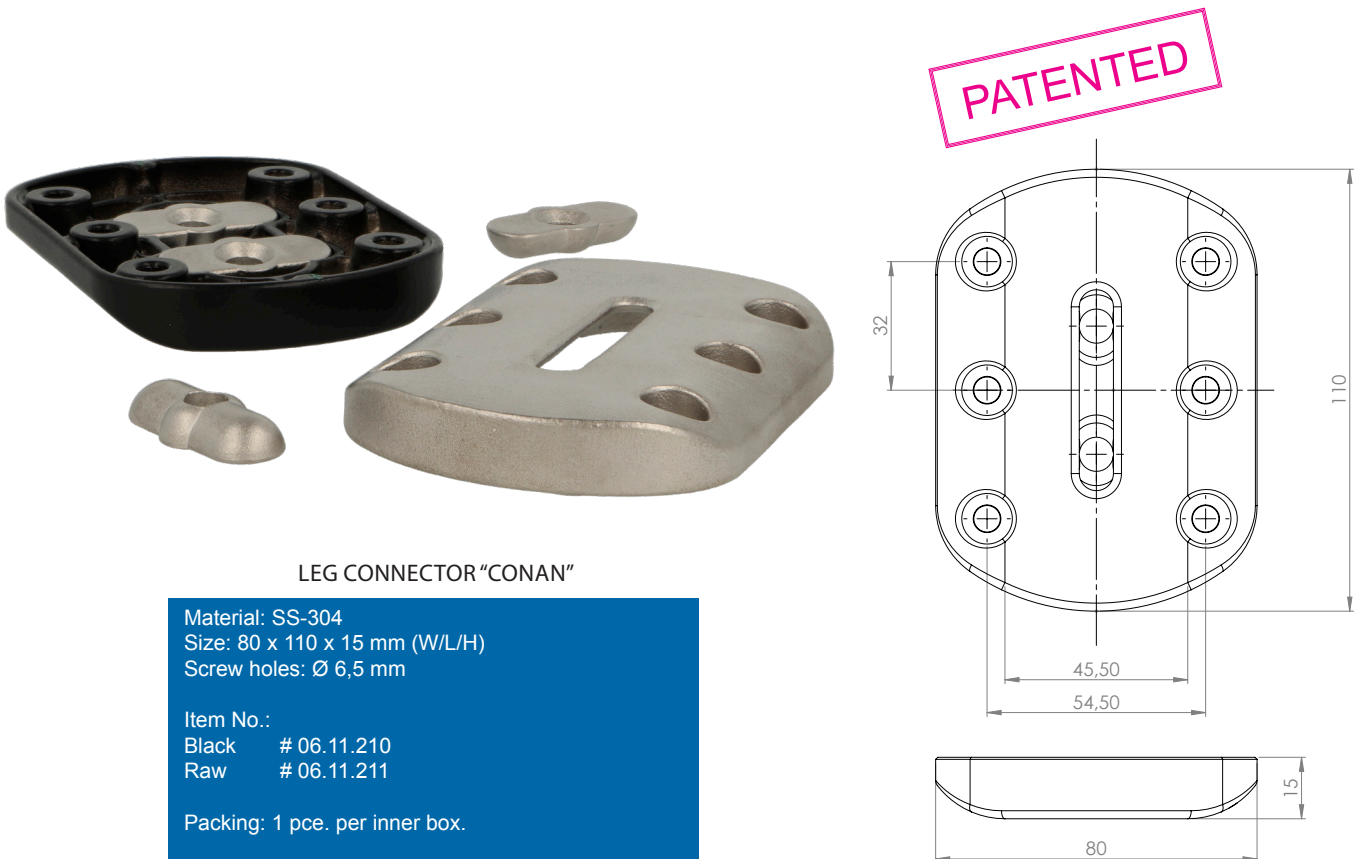
Ask for any screw, nut & washer in stainless steel and we will quote you. No stock item. All on request





ANGLE ADJUSTMENT LEG CONNECTOR "CONAN"

Intelligent self-adjusting stainless steel leg connector bracket. Ideal for any kind of furniture with slanted legs. Due to its rocking stainless steel nuts the bracket may be used from 0 – 25 degrees. Fixed to the leg by 2 special wood screws.



LEG CONNECTOR "CONAN"

Material: SS-304
 Size: 80 x 110 x 15 mm (W/L/H)
 Screw holes: Ø 6,5 mm

Item No.:
 Black # 06.11.210
 Raw # 06.11.211

Packing: 1 pce. per inner box.

Wood screws to be bought separately.
 (Must be used for perfect function)

LEG CONNECTOR "CONAN"



1. Drill two holes straight into the leg
(Recommended hole size $\text{Ø}7 \times 70 \text{ mm}$)



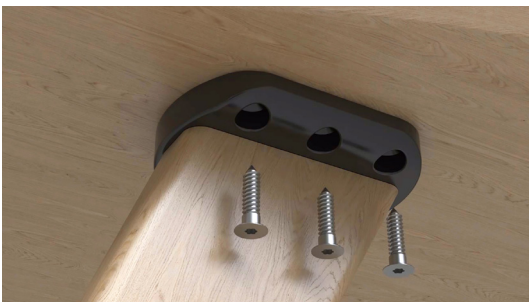
2. Cut the top of the leg into the desired angle



3. Fix the bracket to the leg with the 2 special wood screws



4. The nuts adjust themselves to the angle of the leg



5. Fix the bracket to your furniture

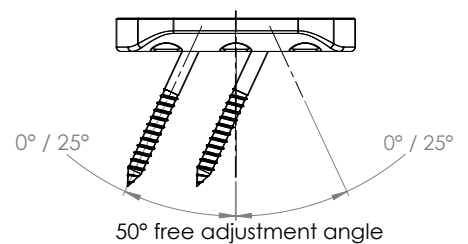
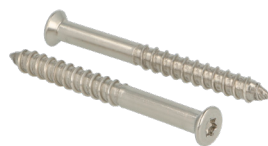


WOOD SCREW

Material: SS-304
Size: $\text{Ø} 7 \times 80 \text{ mm}$, Torx 30

Item No.: # 06.11.215

(2 pcs pr. bracket)



"KEA" SCREW-IN BUSHING

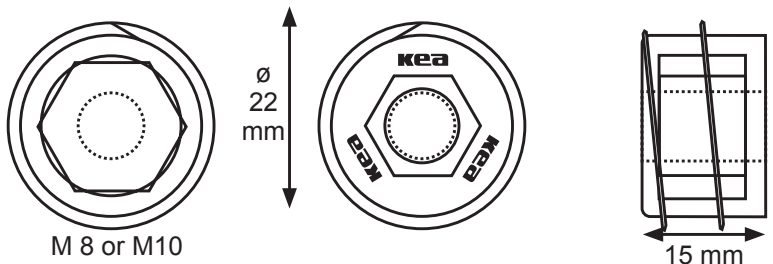
- high quality furniture fittings



"KEA" SCREW-IN BUSHING w/ SPRING-LOADED INTERNAL THREAD



| | | |
|-----------------------------------|----------------|-------------|
| Material: | Zamak, Plain | |
| Bore: | Ø22 mm x 15 mm | |
| Threaded hole: | M8 & M10 | |
| Item No.: | M8 | # 11.07.010 |
| | M10 | # 11.07.011 |
| Tool for inserting KEA bushings:: | | |
| Item No.: | # 11.07.025 | |



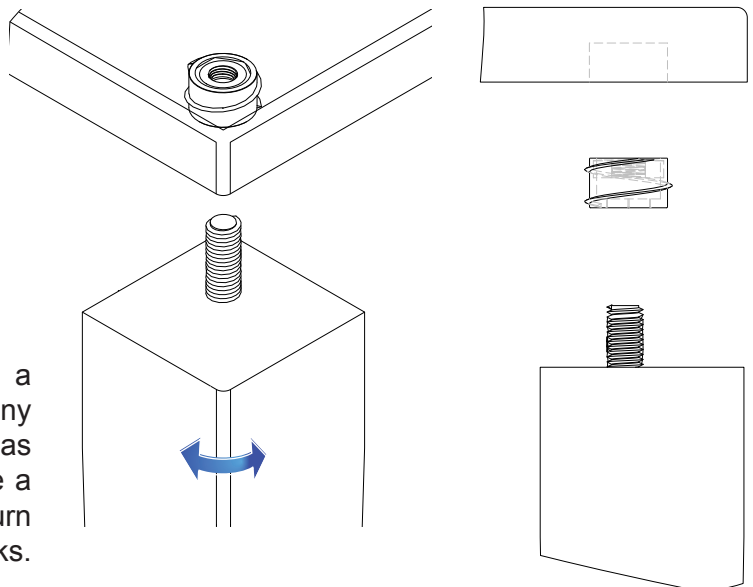
"KEA" bushing for tables.

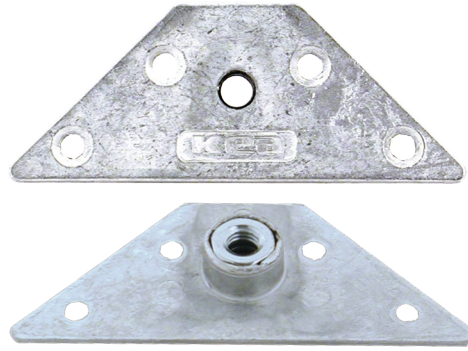
**The perfect solution
for coffee and dining tables.**

THE "KEA" SOLUTION GIVES YOU THE POSSIBILITY TO TIGHTEN AND ADJUST YOUR TABLE LEG IN ANY POSITION DUE TO ITS **PATENTED** INTERNAL SPRING-LOADED SYSTEM.

With a traditional bushing you normally reach a point where you cannot turn in the hangerbolt any further. If you then have a square table leg that has to be flush with the edge of the table you have a problem. Only by heavy force you can try to turn your table leg further and risk that the wood cracks.

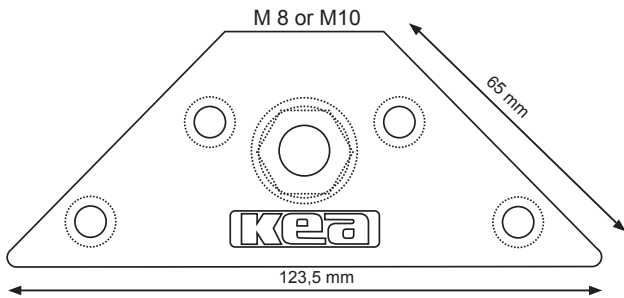
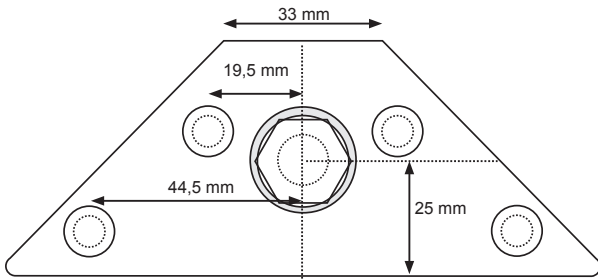
This will not happen with the "KEA" bushing due to its **patented** internal spring-loaded system.



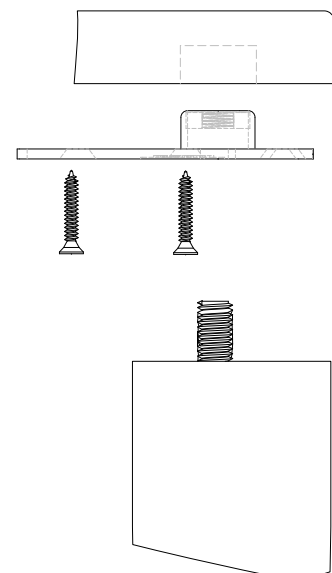
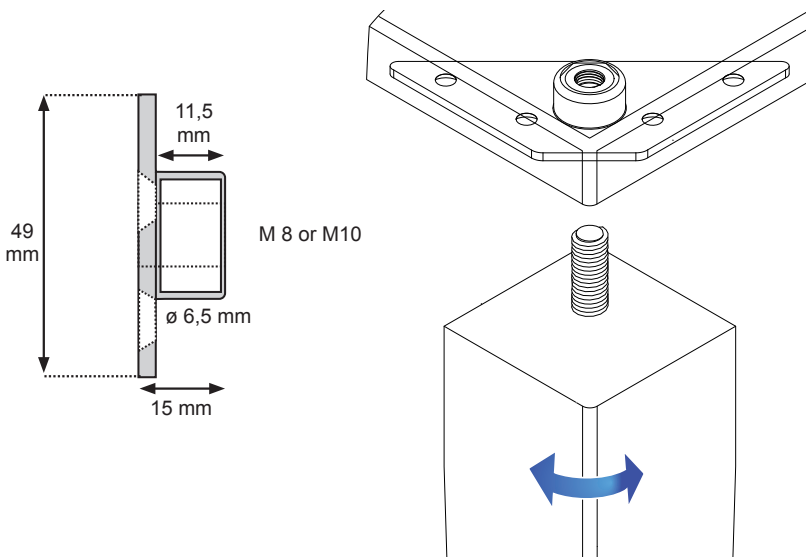


"KEA" SCREW-IN BUSHING,
TRIANGULAR PLATE
w/ SPRING-LOADED INTERNAL THREAD

| | | |
|----------------|--------------------|-------------|
| Material: | Zamak, Plain | |
| Size: | 123,5 x 33 x 65 mm | |
| Threaded hole: | M8 & M10 | |
| Item No.: | M8 | # 11.07.015 |
| | M10 | # 11.07.016 |

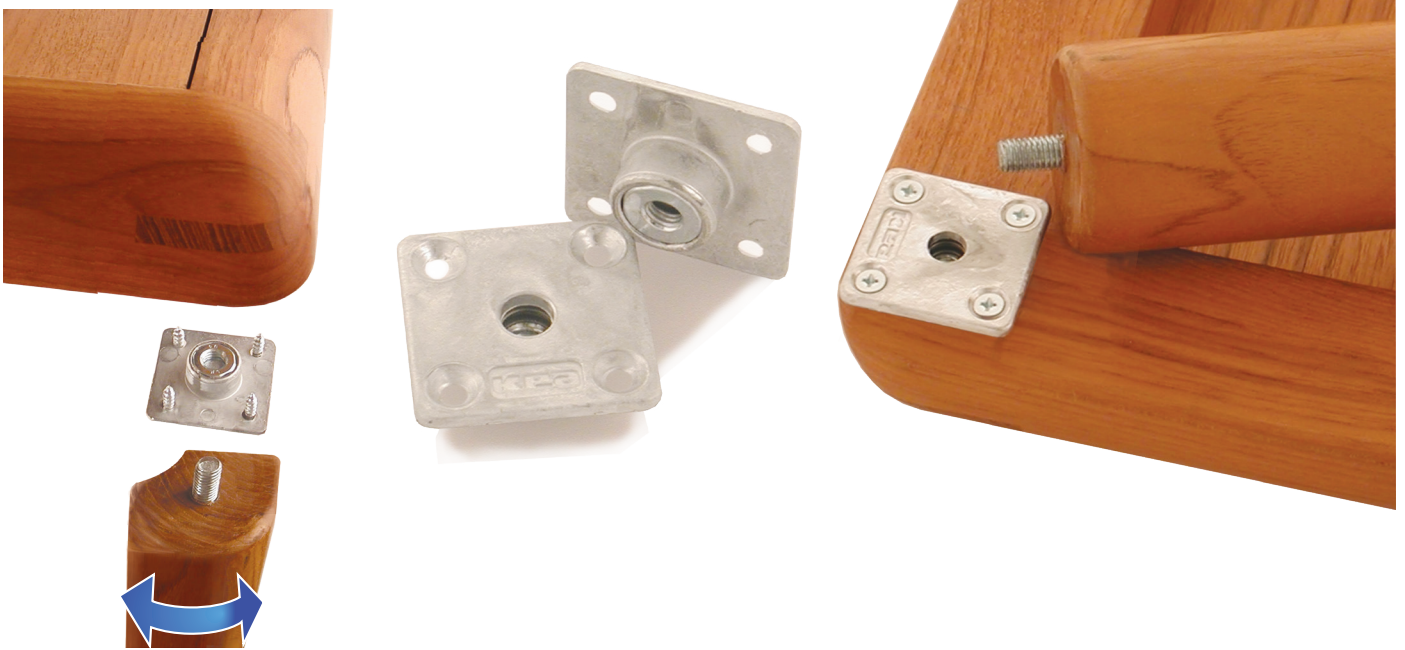


The triangular "KEA" has been tested by SP Swedish National Testing and Research Institute and has proven strong even for bed frame use.



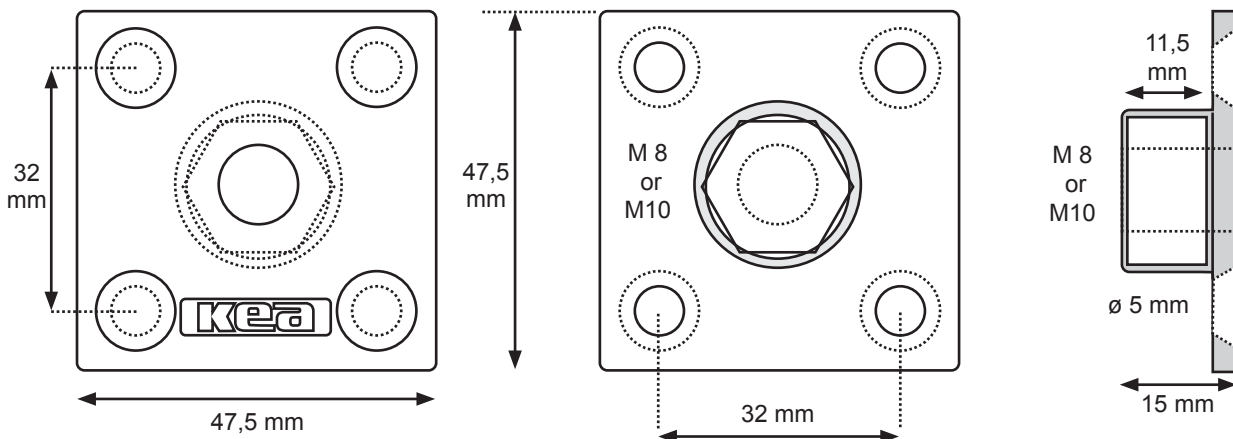
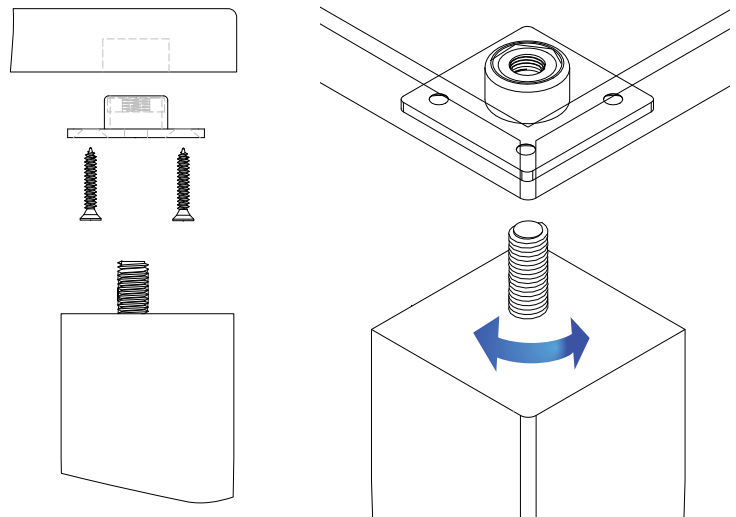
"KEA" SCREW-IN BUSHING

- high quality furniture fittings



"KEA" SCREW-IN BUSHING, SQUARE PLATE w/ SPRING-LOADED INTERNAL THREAD

| | | |
|----------------|-------------------|-------------|
| Material: | Zamak, Plain | |
| Size: | 47,5 mm x 47,5 mm | |
| Threaded hole: | M8 & M10 | |
| Holes: | c/c 32 mm | |
| Item No.: | M8 | # 11.07.001 |
| | M10 | # 11.07.002 |



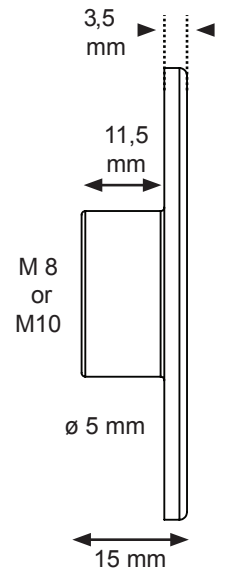
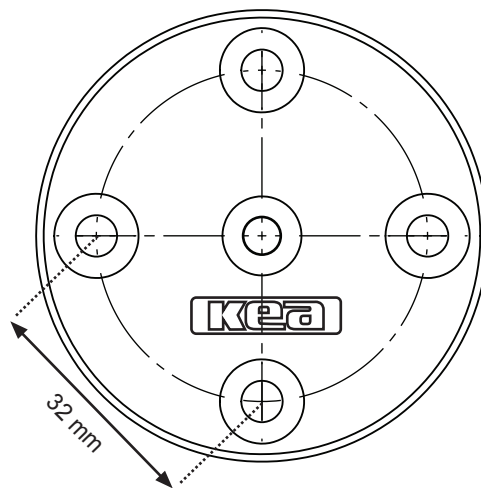
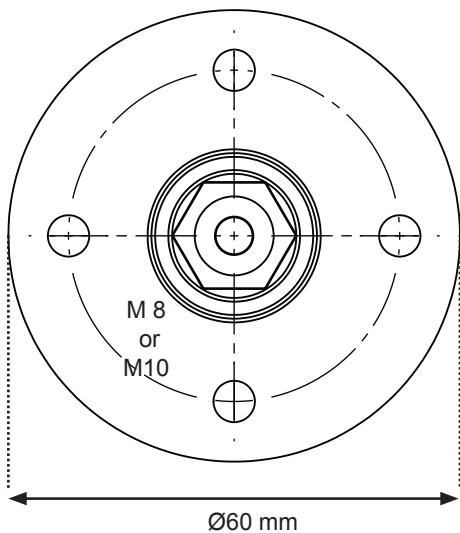
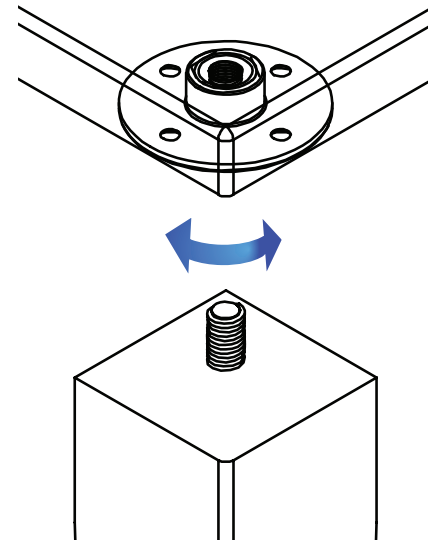
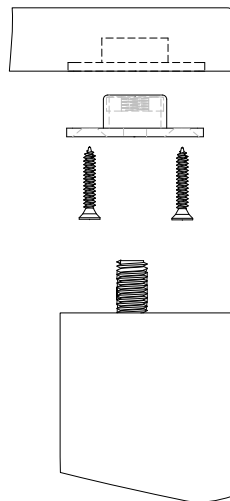
"KEA" SCREW-IN BUSHING



"KEA" SCREW-IN BUSHING,
ROUND PLATE
 w/ SPRING-LOADED INTERNAL THREAD

| | | |
|----------------|--------------|-------------|
| Material: | Zamak, Plain | |
| Size: | Ø60 mm | |
| Threaded hole: | M8 & M10 | |
| Holes: | c/c 32 mm | |
| Item No.: | M8 | # 11.07.005 |
| | M10 | # 11.07.006 |

Flush mounting for extra strength



LEG CONNECTOR "WEKA"

- high quality furniture fittings



Leg Connector "Weka"
with internal tightening system for perfect positioning of the leg

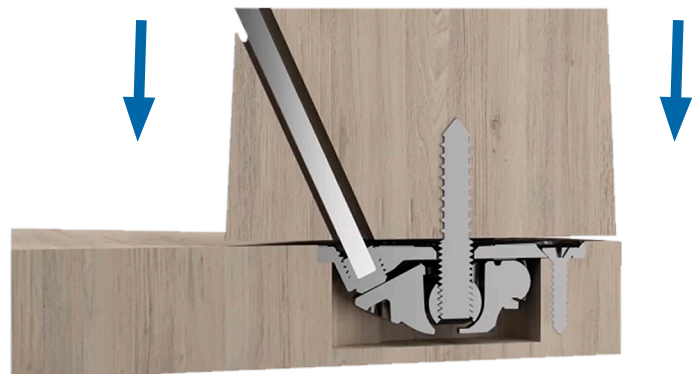
- is ideal for any shape of leg with an M8 thread
- is made of zamak & steel
- is made for min. 18mm panel thickness
- gives you the possibility to tighten and adjust your leg in any position
- pulls and holds the leg into place
- is perfect for knock-down furniture
- is made for flush or elevated installation
- is tested and certified according to EN 15372

PATENTED

LEG CONNECTOR "WEKA"

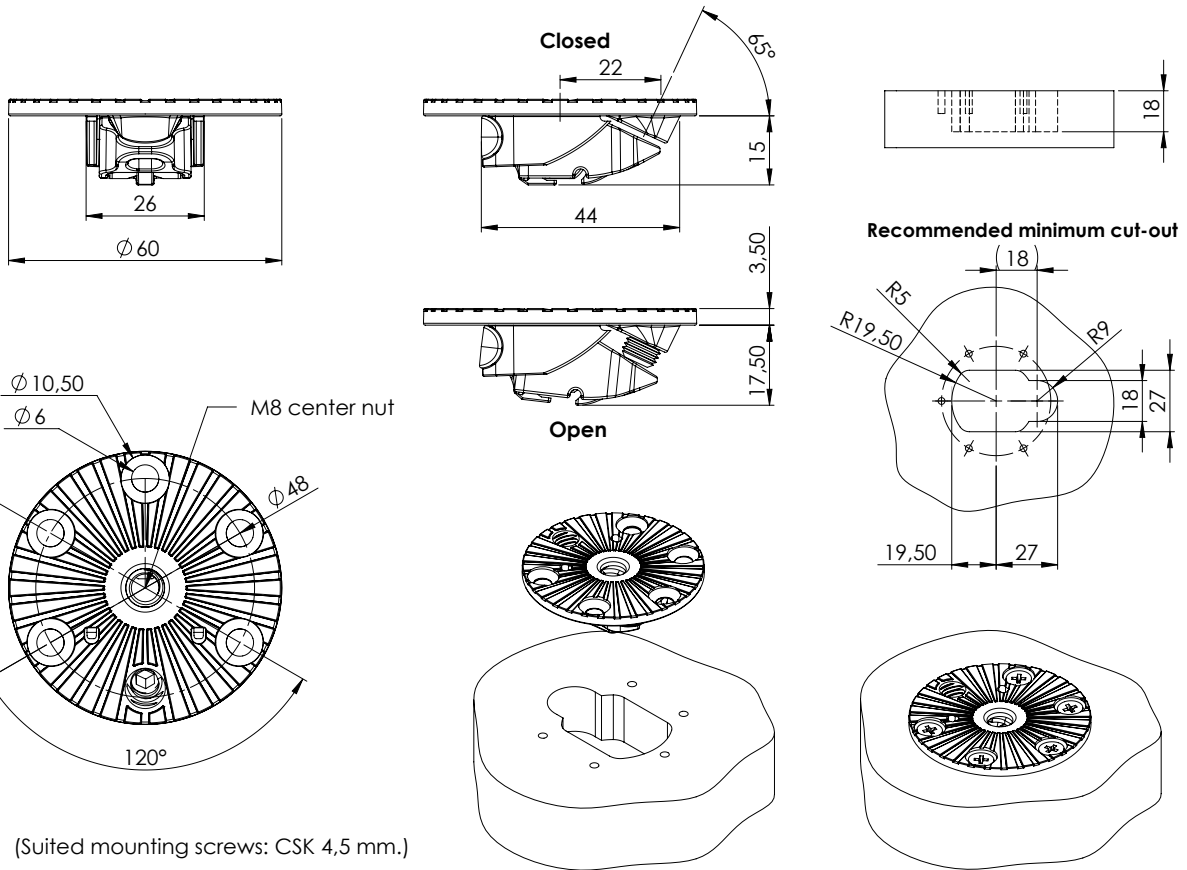
Material: Zamak body & steel nut
Size: Ø 60 x 17,5 mm
Screw holes: Ø6 mm
Item No.: 06.11.220

Screws and bolts to be bought separately



Tighten the set screw. The internal wedge system pulls and holds the leg into place

LEG CONNECTOR "WEKA"



"TWISTER" - THE LEG CONNECTOR

- high quality furniture fittings

SISO
DENMARK



PATENTED

"TWISTER" - LEG CONNECTOR

The "Twister" leg connector is designed for installing a leg in any position from 0 – 20 degrees – one way, simply by twisting the leg tightly onto the connector plate.

May be used on tables, cabinets, beds, sofas ect. wherever a leg is needed.

"Twister" gives the possibility to change the design on the furniture whenever there is a demand. Furthermore it may be used as a height adjuster/leveller in case of uneven floors.

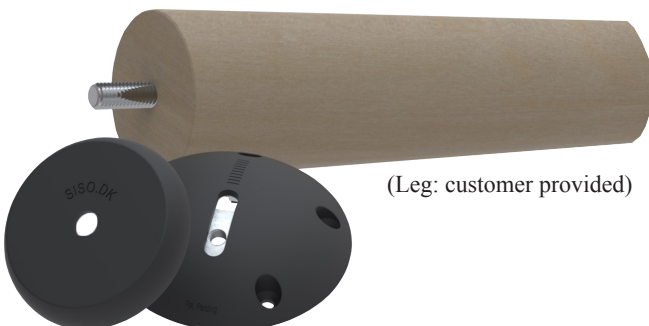
Adjustable up to 40mm when changing the angle from 0 – 20 degrees. "Twister" is designed for maximum leg diameter of 50mm and M8 bolt.

The round sliding plate and body are made of black reinforced ABS.
The internal part is made of steel.

Danish design by SISO & Jesper Møller Hansen.

Pat. Pending in EU & US.

Wood top mounting



(Leg: customer provided)

**Glass top mounting
w/aluminium disc & UV-glue**

(Leg: customer provided)



"TWISTER" - THE LEG CONNECTOR

WOOD TOP MOUNTING

Material: Reinforced ABS & steel

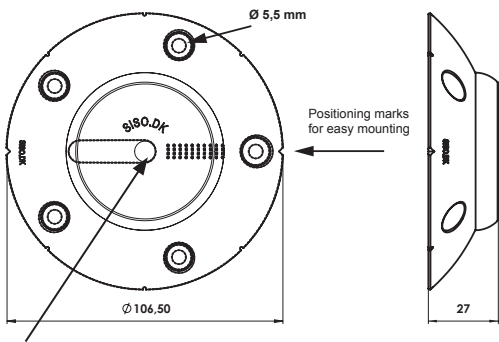
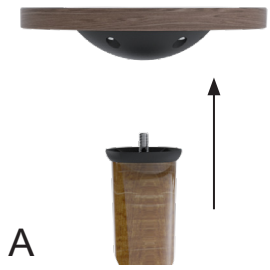
Total size: Ø 106,5 x 27 mm

Screw holes: Ø 5,5 mm

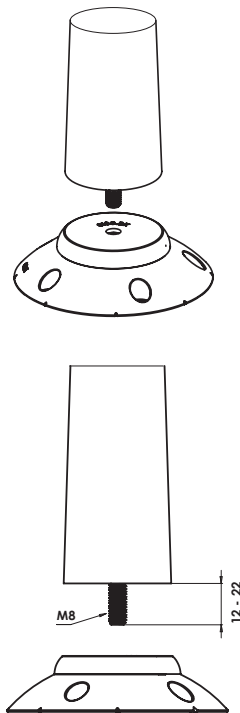
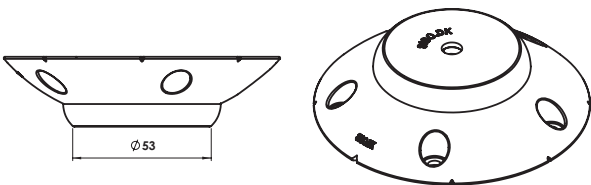
Item No.: 06.11.100

Packing: 1 pce pr. inner box

Screws and hangerbolt to be bought separately.



M8 thread



GLASS TOP MOUNTING W/ALUMINIUM DISC & UV-GLUE

For glass top mounting by use of Twister connector combined with an aluminum disc.

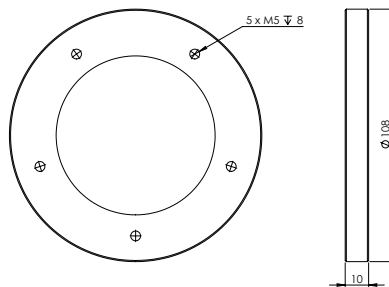
Material: Aluminium

Size: Ø 108 x 10 mm,
For screws M5 x 8mm

Item No.: # 06.11.121

Fixing screws and Twister connector to be ordered separately.

The aluminium disc is glued to the glass by use of Bohle UV-Glue B 682-0. UV-lamp is needed.



"MINI TWISTER" - THE LEG CONNECTOR

- high quality furniture fittings



Ideal for chairs, beds, sofas and coffee tables.

Material: SS304

Total size: Ø 85 x 24 mm

Screw holes: Ø 5,5 mm

Item No.: 06.11.200, Black
06.11.201, Raw

Packing: 1 pce. per inner box

Screws and hangerbolt to be bought separately.



Stainless steel 304,
Black

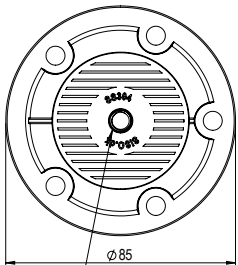


Stainless steel 304,
RAW



(Leg: customer provided)

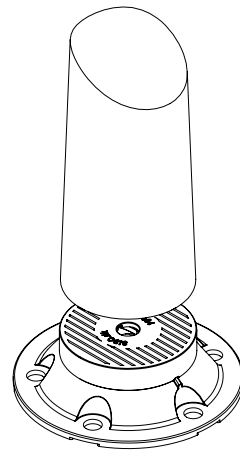
PATENTED



M8 thread



24



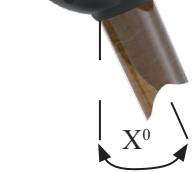
A



B

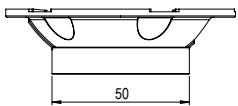


C



X = 0°, 6.5°, 13.5°, 20°

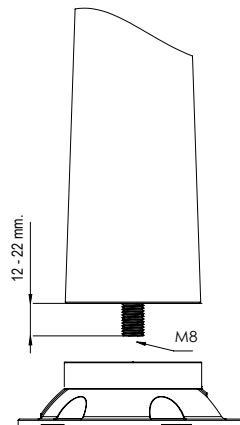
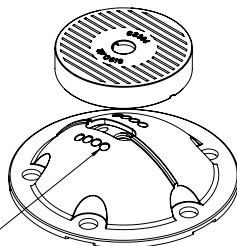
D



50

Preset positioning spots to insure correct adjustment and strength

- 0°
- 6,50°
- 13,50°
- 20°



12 - 22 mm

M8

"TWIST 'N TURN" - THE LEG CONNECTOR

"TWIST 'N TURN" - THE LEG CONNECTOR



Ideal for tables, cabinets, beds, sofas, coffee tables ect.

Feature: Adjustable in 5 steps from 0 to 15 degrees

Material: PA6 – re-inforced with glass fibre

Size: Ø 79,5 x 20 mm

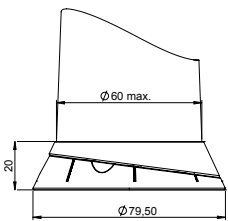
Screw holes: Ø 6,2 mm

Item No.: # 06.11.130

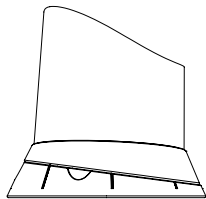
Packing: 1 pce. per inner box

Screws and hangerbolt to be bought separately

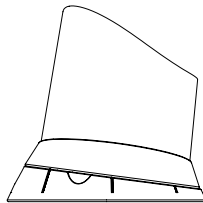
0 degrees



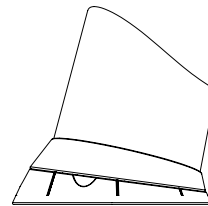
5,5 degrees



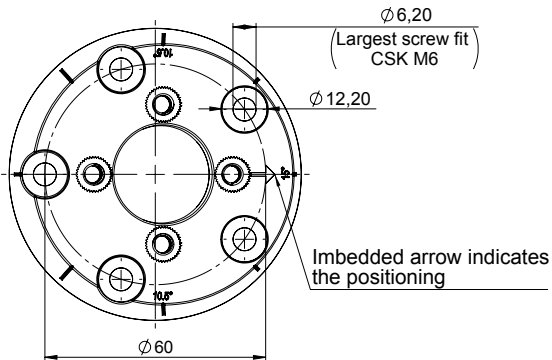
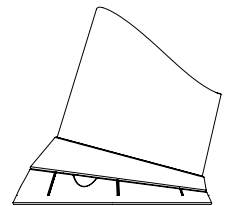
10,5 degrees



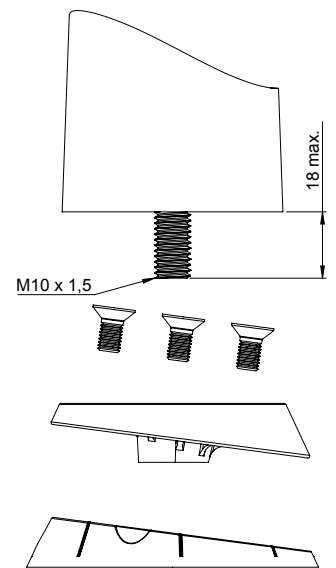
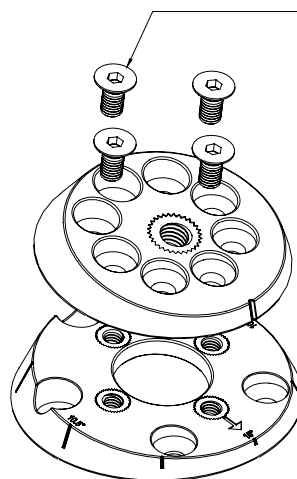
13,5 degrees



15 degrees



The 4 illustrated screws are included. Used to set the desired bracket angle before installing the leg



PATENTED

"RIMA" LEG CONNECTOR F/SQUARE LEGS

- high quality furniture fittings



The "RIMA" leg connector gives you the possibility to tighten and adjust your leg in any position due to its patented internal spring-loaded system.

With a traditional bushing you normally reach a point where you cannot turn in the hangerbolt any further. If you then have a square leg that has to be flush with the edge of the furniture you have a problem. Only by heavy force you can try to turn your leg further and risk that the wood cracks.

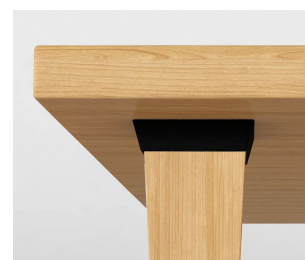
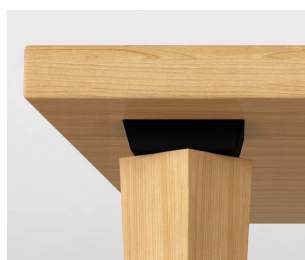
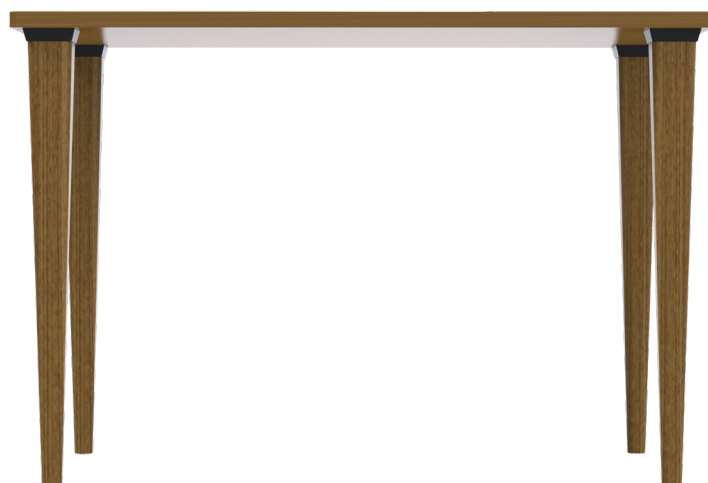
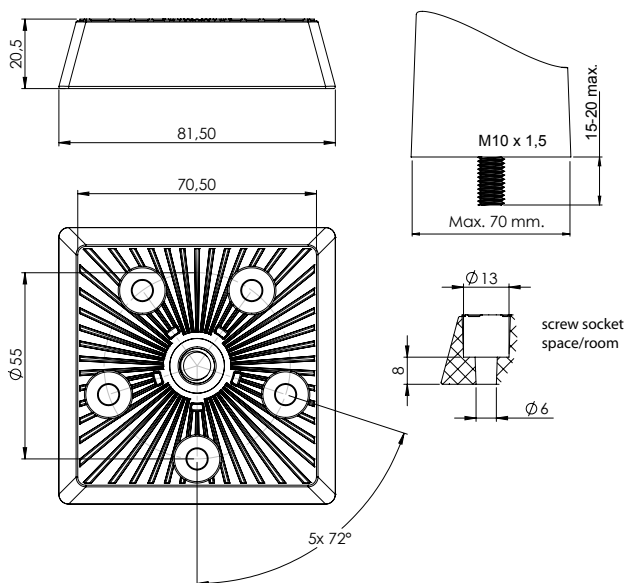
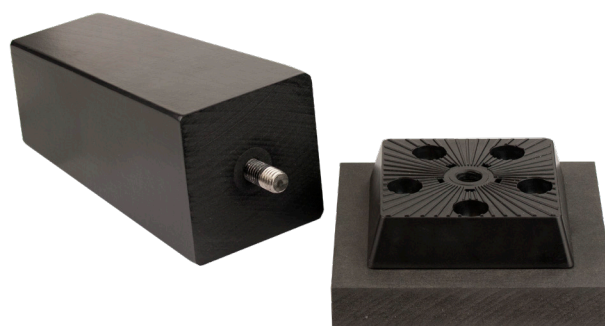
This will not happen with the "RIMA" connector due to its patented internal spring-loaded system.



PATENTED

"RIMA" LEG CONNECTOR

| | |
|------------------|-----------------------------------|
| Application: | F/Square Legs W/Spring Tension |
| Material: | Black PC/ABS |
| Size: | 81,5 x 20,5 mm |
| Max. Leg size: | 70 x 70 mm , F/M10 bolt |
| Panel thickness: | From 10 mm |
| Item No.: | # 06.11.140 |

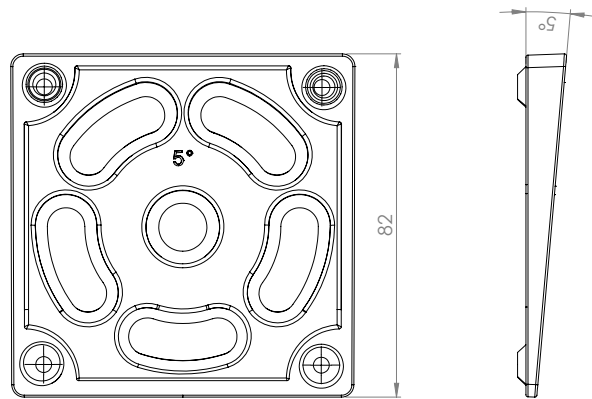
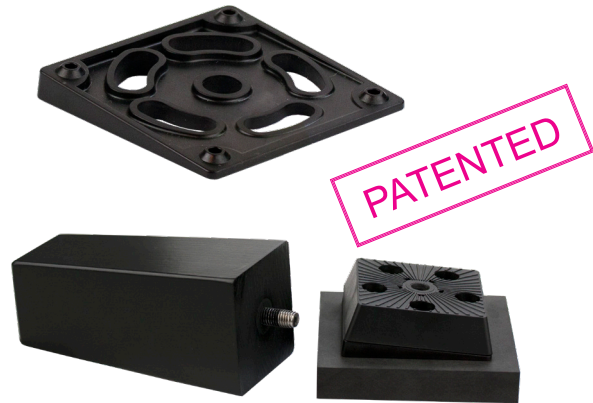


Tighten and adjust the leg to correct position without cracking the wood

ANGLE WEDGE F/"RIMA" LEG CONNECTOR

ANGLE WEDGE FOR "RIMA" LEG CONNECTOR

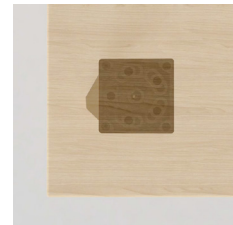
| | |
|-----------|---|
| Feature: | Adjustable in 3 steps from 0 to 10 degrees. |
| Material: | Black PC/ABS |
| Size: | 81,5 x 20,5 mm, 5° angle |
| Item No.: | # 06.11.145 |



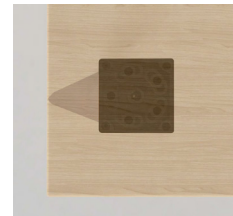
How to change the angle and direction



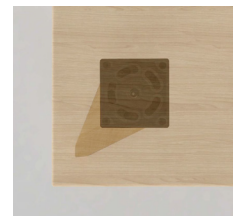
5° angle by use of one wedge

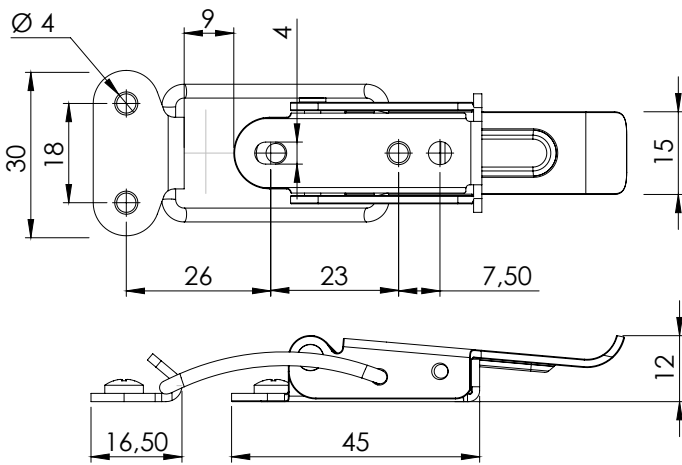


10° angle by use of two wedges



7° angle and change of direction by use of two wedges





A



B



C



D



Catch #22 is a patented version of the traditional table catch. This new model holds itself flat underneath the table top and spare leaves in both the locked and unlocked position.

Flat to base, even when unlocked - see picture A - D.

The old version always hung loose underneath the table and from spare leaves when not in use. This could easily cause damage to surfaces and edges, particularly on tables fitted with folding »butterfly« extension leaves and even to peoples' legs and clothing.

Catch #22

| | |
|---------------------------|-------------|
| Material: | |
| Stainless Steel, Polished | # 24.03.000 |
| Steel, Bronzed Plated | # 24.03.001 |
| Steel, Yellow Zinc Plated | # 24.03.002 |
| Steel, Bright Zinc Plated | # 24.03.003 |
| Steel, Black E-coated | # 24.02.999 |

Fixation:
Wood Screws: Ø4 mm x 16 mm, Pan Head

Patent: UK Pat No. 2309252
United States Patent 6,041,721
EP Pat. No. 0786217B1

CATCH # 22 XL & "SPRING" + LAZY SUSAN

CATCH #22 W/EXTRA LONG HASP



Catch #22 with a 60 mm long hasp for tables with chamfered edges

Steel, Yellow Zinc Plated # 24.03.005-1
Stainless Steel, Polished # 24.03.005-8

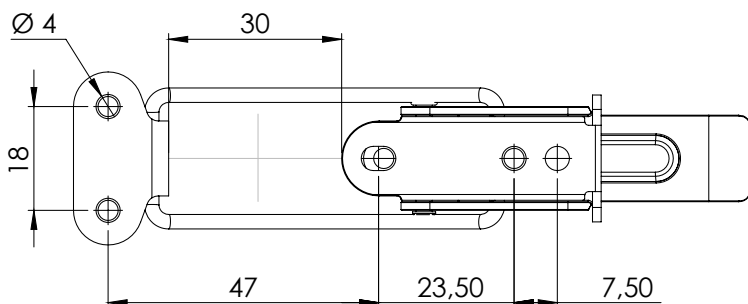
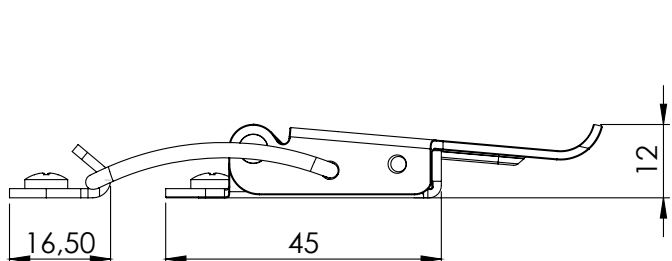
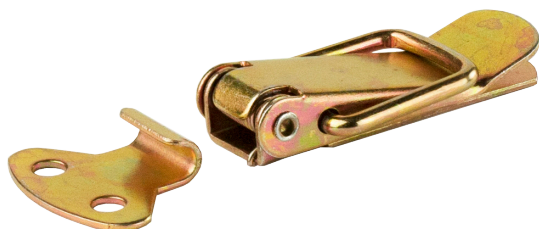
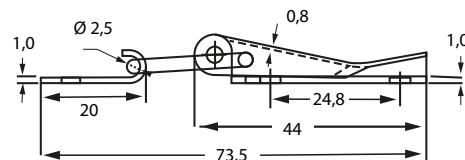
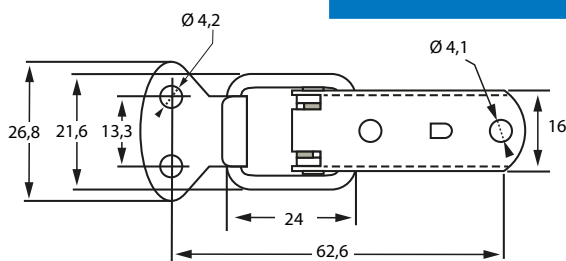
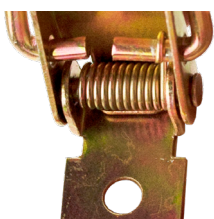


TABLE CATCH "SPRING"



Material: Steel, Yellow Zinc Plated
Overall size: 44 x 16 x 1 mm
Screw hole: Ø4

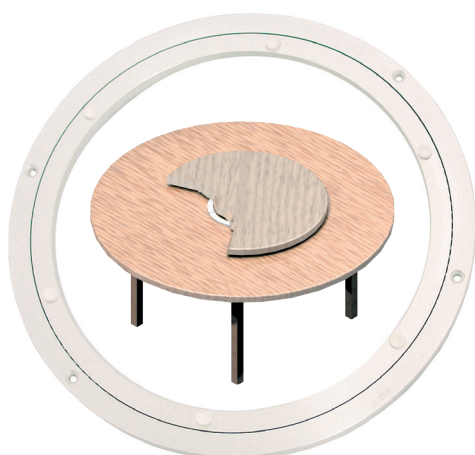
Item No: # 24.03.042



LAZY SUSAN ALUMINIUM TURNTABLE

Material: Ring: 1st grade aluminium, Die Cast
Balls: High grade stainless steel (grade 200)

Application: 360 Degree easy swivelling, apply to any kind of dining table, TV-stand, computer tables etc. Also perfect for outdoor use when using stainless steel ball bearings.



| Sizes | | Item. No.: | Load Capacity | Top | | Bottom | |
|----------------|----------------|-------------|---------------|------------------------------|----------------------|----------------------|------------------------------|
| Outer diameter | Inner diameter | | | Out | In | Out | In |
| Ø304 x 12mm | Ø247mm | # 16.15.371 | 50-70 kg | White rubber Ø10 x 3,3 mm | Ø5,5 mm CSK Holes | Ø5,5 mm CSK Holes | White rubber Ø10 x 3,3 mm |
| Ø401 x 12mm | Ø338mm | # 16.15.382 | 80-100 kg | 6 | 4 | 4 | 6 |
| Ø600 x 12mm | Ø524mm | # 16.15.395 | 170-190 kg | 6 | 4 | 4 | 6 |
| | | | | 8 | 4 | 4 | 8 |

SURF

Quality furniture fittings

SISO DENMARK

BREAKING THE TRADITIONS



SURF

the new patented solution for connecting tables

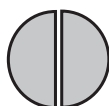
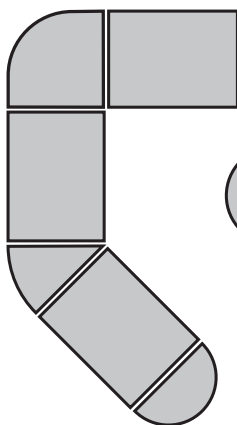
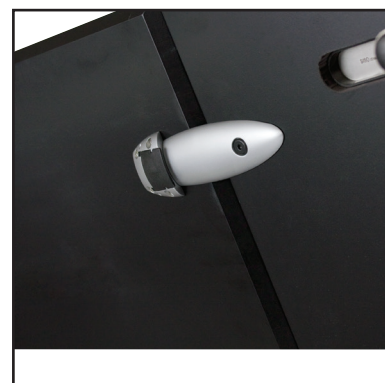
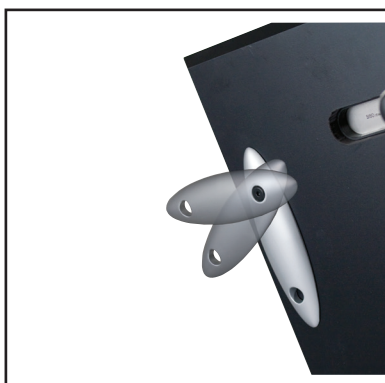
The **SURF** table connector is the latest development of our table connector **CLICK CATCH**.

With the **SURF** we combine design with improved functionality. Not only does the **SURF** connect and hold the table leaves like the **CLICK CATCH** - it also pulls the table leaves together.

The **SURF** is mounted under the table top to connect tables by sliding the ellipse into the female part. When connected, you lock and tighten the **SURF** by closing the black plastic locking cap.

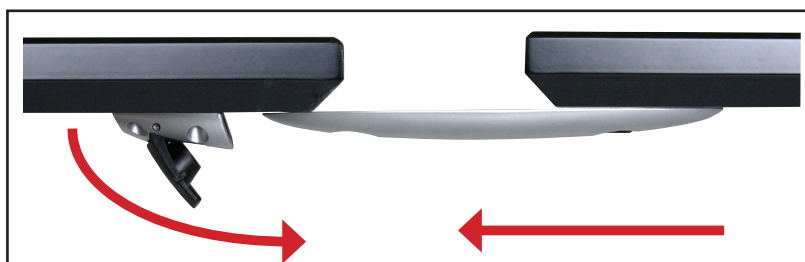
When not in use the ellipse is easily swivelled back under the table top, where it remains invisible and of no obstruction to knees! The female part, when not in use, works like a spacer for safe stacking of additional table leaves.

Danish design by SISO & Jesper Møller Hansen



1 set consists of a male and a female part made of zamak. Fixation by means of 4 wood screws, a zamak screw-in bushing and a fifteen screw.

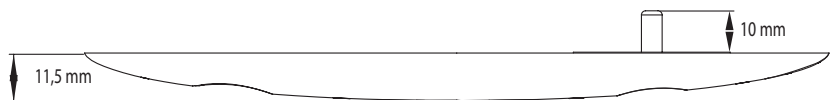
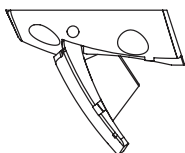
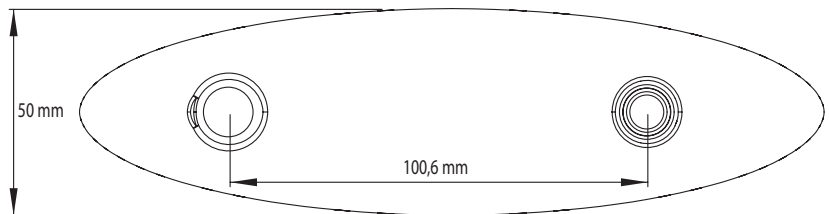
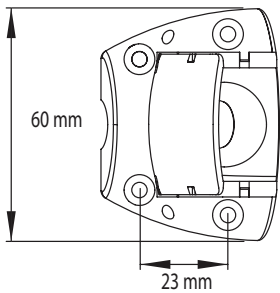
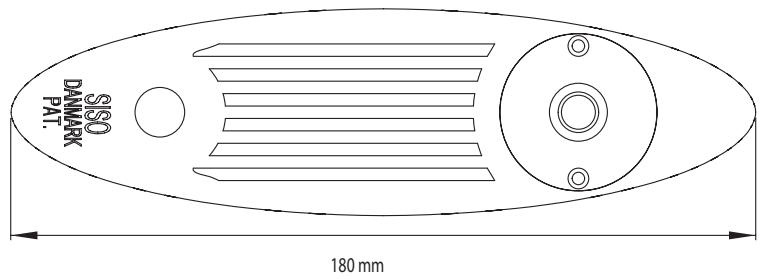
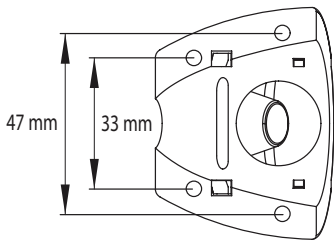
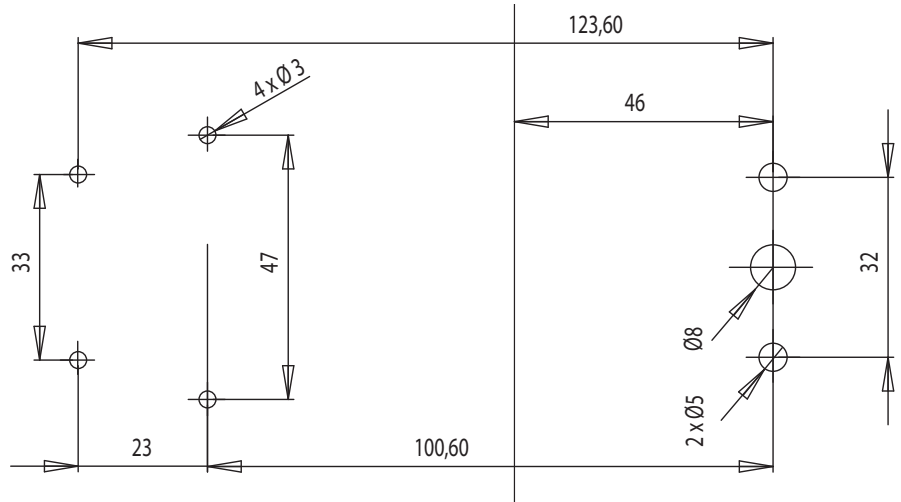
| | |
|---|-------------|
| 1 Male + 1 female - Alu finish | # 24.03.100 |
| Female part only - Alu finish | # 24.03.102 |
| Wood screw Ø4 x 16 mm, BZP | # 15.04.400 |
| Fifteen screw M6 x 25 mm, black | # 12.00.903 |
| Screw-in bushing E-620, zamak M6 x 20 mm, YZP | # 12.10.223 |



SURF - THE TABLE CONNECTOR



PATENTED

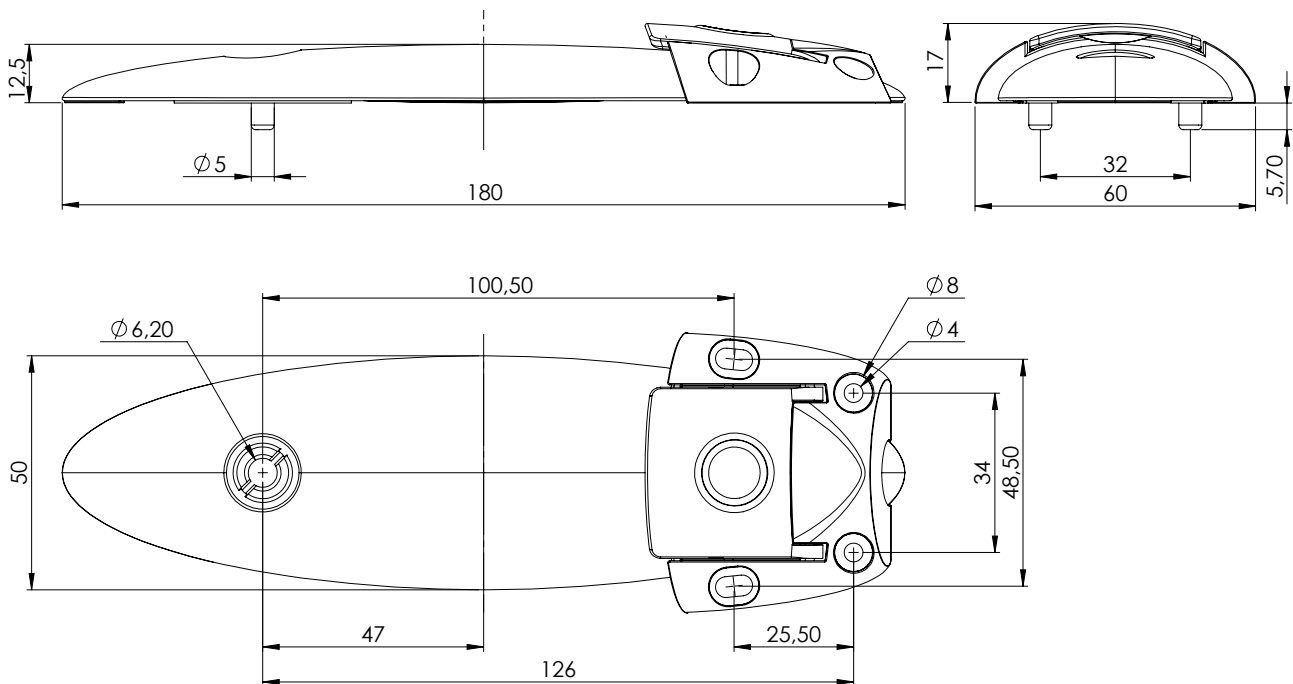
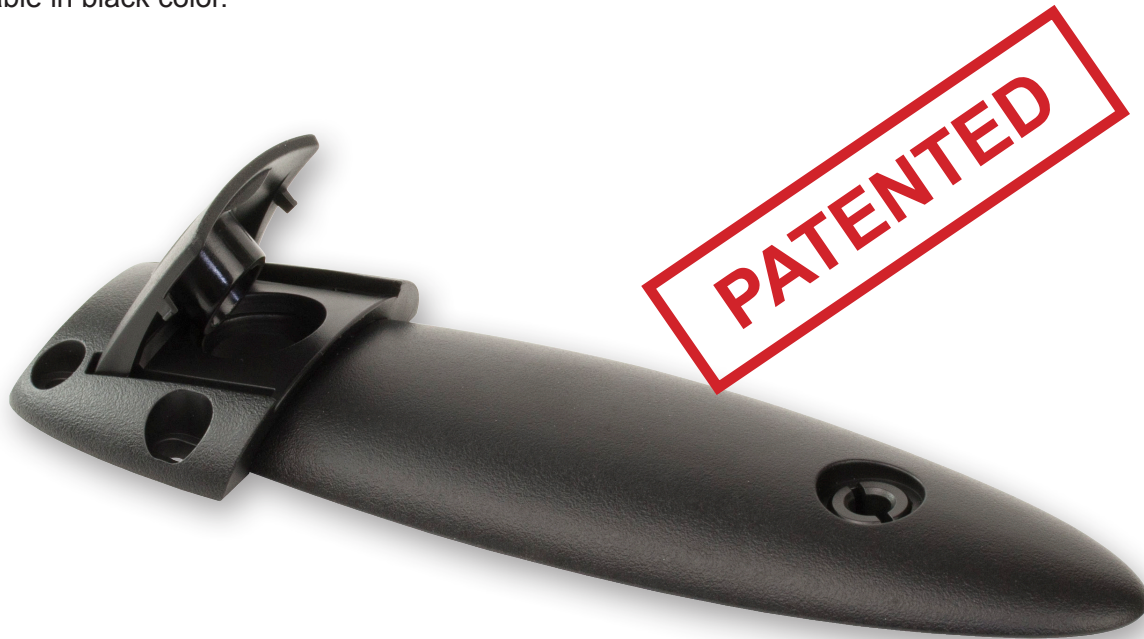


SURF PA6 – THE TABLE CONNECTOR

- high quality furniture fittings



The SURF PA6 table connector is the second generation of our table connector SURF. As the name indicates it is produced in polyamid material whereas the original SURF is made of zamak. The function is the same but due to the choice of material the price is more affordable. It is however only available in black color.



1 set consists of a male & female part made of PA6 material.
Fixation by means of 4 wood screws, a zamak screw-in bushing and a fifteen screw.

| | |
|---|-------------|
| 1 Male + 1 female – black | # 24.03.107 |
| Pan headed wood screw Ø4 x 20 mm, black | # 11.08.298 |
| Fifteen screw M6 x 25 mm, black | # 12.00.903 |
| Screw-in bushing E-620, zamak M6 x 20 mm, YZP | # 12.10.223 |

LINKIT - THE DESK TOP CONNECTOR

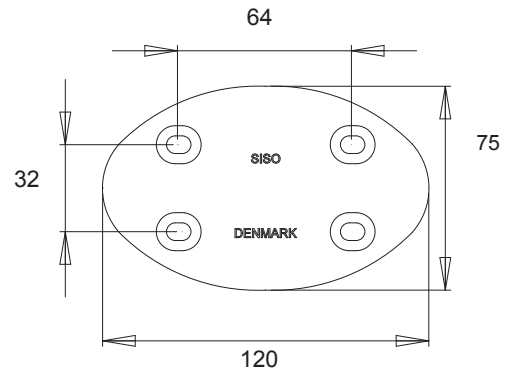
Material: Zamak
 Finish: Anthracite (Dark Grey)
 Size: 75 x 120 mm - c/c 32 & 64 mm
 Screw hole: Ø4,5 mm with 6 mm horizontal adjustment
 Item No: # 24.03.090

Design registered in:
 USA, UK, Germany, Australia and New Zealand

Fixation:

Screw-in Bushing D-613 Item No.: # 12.10.191

Raised Dome Head Screw - PZD Item No.: # 12.06.830



CIRCULAR TABLE SPANNER

Material: Zamak, 1,5 mm
 Screw hole: Ø4 mm
 Diameter: Ø60 mm
 Item No.: Brass Plated # 24.03.070
 Item No.: Nickel Plated # 24.03.071

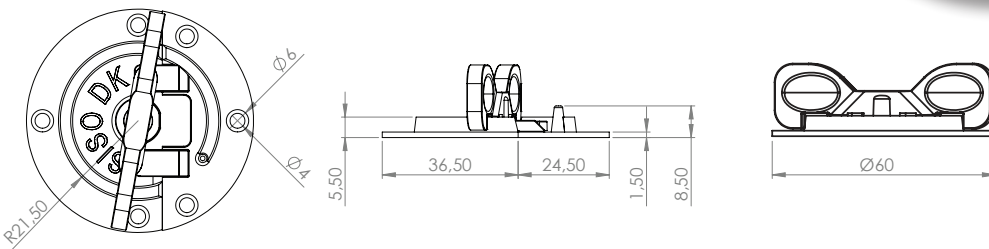


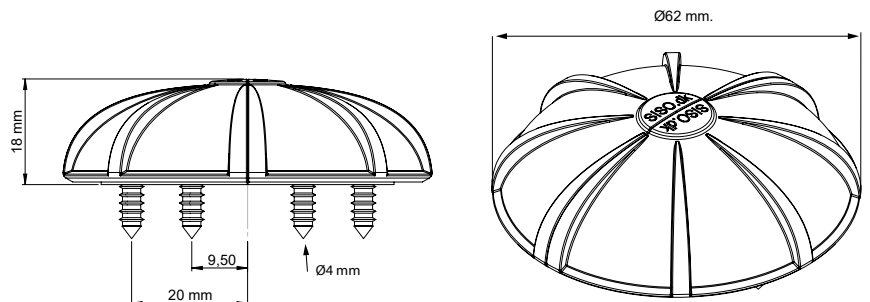
TABLE SPANNER "TURTLE"

Ideal for connecting wooden tops or panels by simply turning the lids clockwise.

Material: PA6 – GF
 Size: Ø62 x 18 mm.
 Screw holes: Ø4mm, counter sunk
 Item No. Male + Female: # 24.03.075



DESIGN REGISTERED IN EU



LOCATING PIN "SMAG"

Application:

Locating pin with integrated hold function. Ideal for connecting table tops, without using a classic table catch.

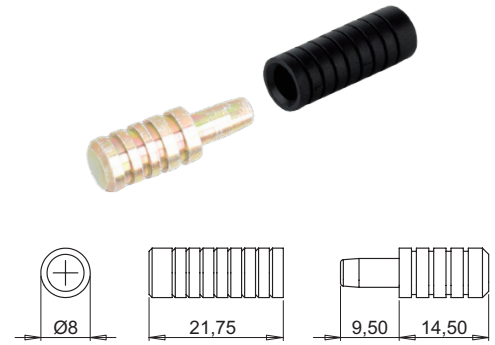
Material: Steel & plastic

Size: Ø8 x 36,30 mm

Finish: Yellow zinc plated & black

Item No.: Female # 11.06.865

Male # 11.06.866



LOCATING PINS

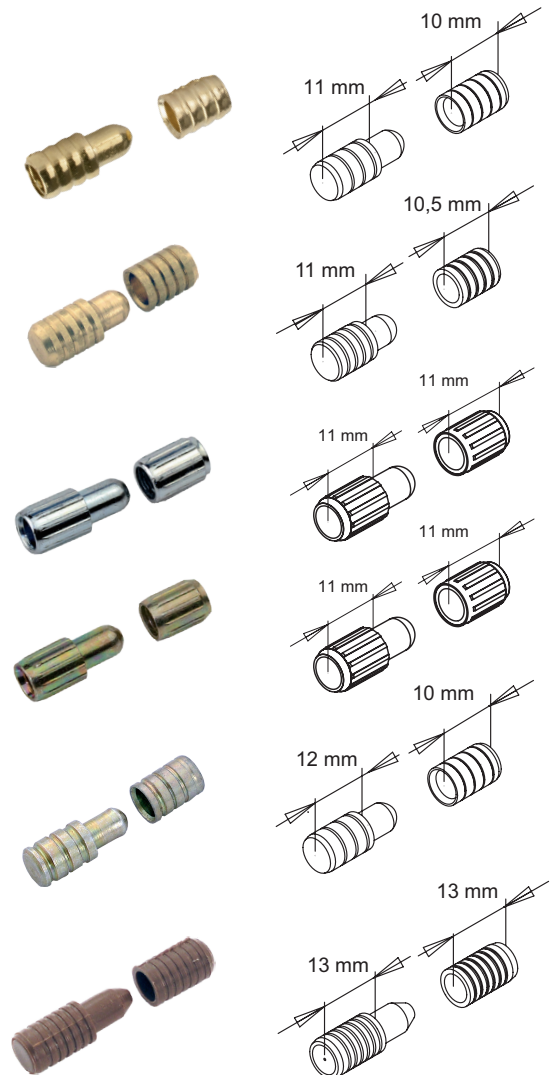
Material: Zamak
Size: Ø8 x 21 mm
Finish: Yellow Zinc 2-3 Micron
Item No.: Male & Female # 11.06.870

Material: Brass
Size: Ø8 x 21,5 mm
Finish: Natural
Item No.: Male # 11.06.855
 Female # 11.06.856

Material: Steel
Size: Ø8 x 22 mm
Finish: Yellow Zinc 12 Micron or Bright Zinc 3 Micron
Item No.: Male - BZP # 11.06.846
 Female - BZP # 11.06.845
 Male - YZP # 11.06.850
 Female - YZP # 11.06.849

Material: Steel
Size: Ø8 x 22 mm
Finish: Yellow Zinc 12 Micron
Item No.: Male & Female # 11.06.851

Material: Nylon
Size: Ø8 x 26 mm
Finish: Brown
Item No.: Male # 11.06.890
 Female # 11.06.891

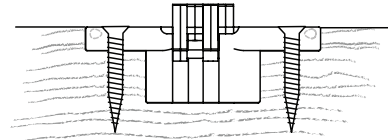
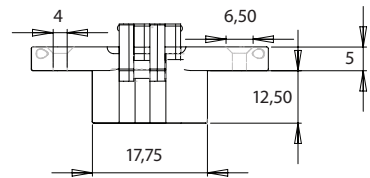
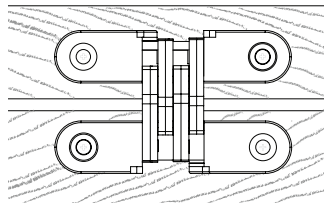
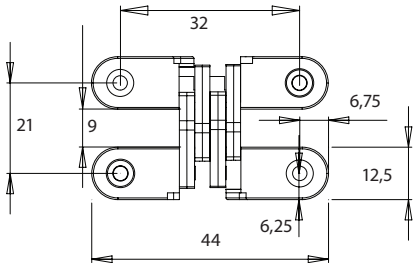
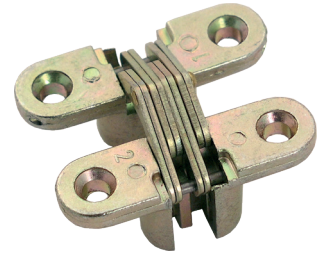


HINGES

VICI HINGE - ZAMAK w/ STEEL LINKAGE - 180°

Material Body: Zamak
 Linkage: Steel
 Finish: Yellow Zinc Plated (YZP)
 Size: 44 x 12,5 mm
 Screw Hole: Ø4 mm - c/c 32 mm
 Item No.: # 15.07.115

Other sizes and finishes on request



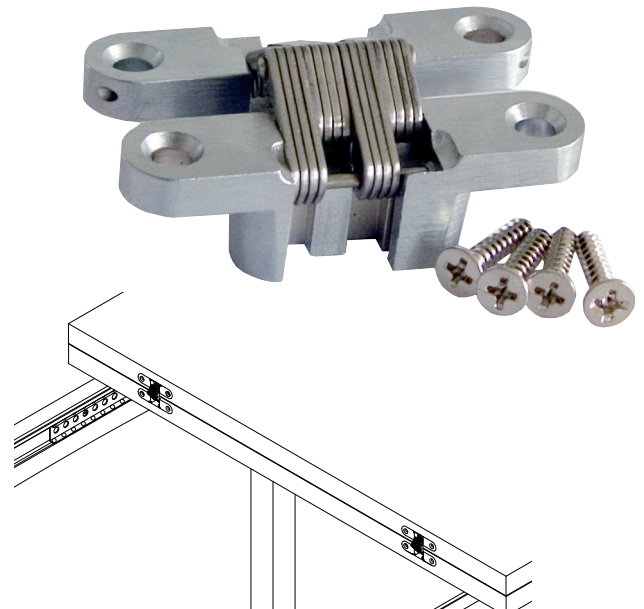
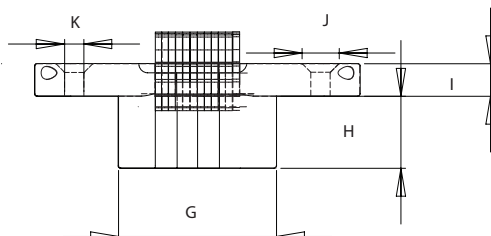
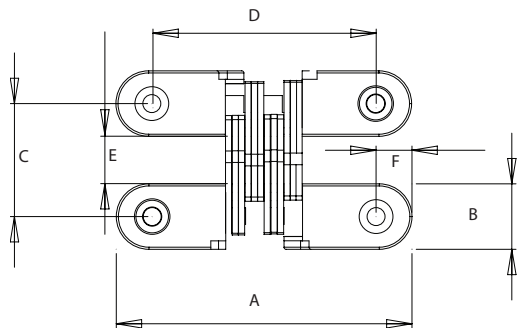
VICI HINGE - ZAMAK w/ SS LINKAGE - 180°

Material Body: Zamak
 Linkage: Stainless Steel (SS)
 Finish: Body: Stainless Steel look- Brushed
 Linkage: Plain

Incl. 4 CSK chip board screws

| A | B* | C* | D* | E* | F | G | H* | I | J | K | Item No. |
|-------|-------|---------|---------|---------|--------|---------|---------|-------|--------|------|-----------|
| 45 mm | 13 mm | 20,5 mm | 31,6 mm | 8 mm | 6,7 mm | 18,8 mm | 12 mm | 5 mm | 6,6 mm | 4 mm | 15.07.120 |
| 60 mm | 13 mm | 21,5 mm | 47,2 mm | 9 mm | 6,5 mm | 32 mm | 12 mm | 6 mm | 7,7 mm | 5 mm | 15.07.121 |
| 70 mm | 16 mm | 26,5 mm | 54 mm | 10,5 mm | 8 mm | 34 mm | 15,5 mm | 7 mm | 8 mm | 5 mm | 15.07.122 |
| 95 mm | 19 mm | 32 mm | 75 mm | 13 mm | 10 mm | 52 mm | 17 mm | 10 mm | 10 mm | 6 mm | 15.07.123 |

* tolerance ± 0,3

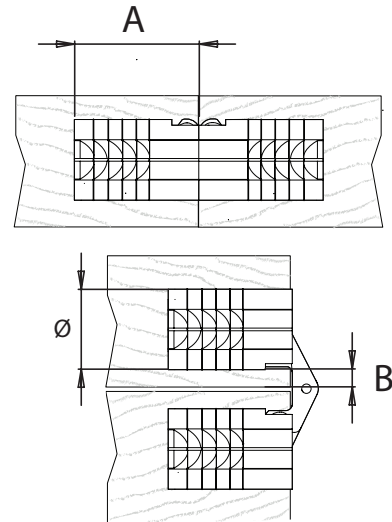
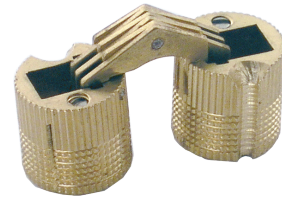


BRASS CYLINDER HINGE w/ SS PIN & SCREWS

Material: Body and Linkage: Brass
Pin and Screws: Stainless Steel (SS)
Finish: Brass Natural

| Sizes | Item No | A* | B* |
|--------|-------------|---------|--------|
| Ø10 mm | # 15.07.345 | 11,0 mm | 2,0 mm |
| Ø12 mm | # 15.07.346 | 13,5 mm | 2,2 mm |
| Ø14 mm | # 15.07.347 | 15,5 mm | 3,0 mm |
| Ø16 mm | # 15.07.348 | 16,5 mm | 3,0 mm |
| Ø18 mm | # 15.07.349 | 17,5 mm | 3,0 mm |
| Ø24 mm | # 15.07.350 | 25,0 mm | 4,5 mm |

* See illustration A and B for measurement



ELU TABLE HINGE 180°



Material: Steel, Yellow Zinc Plated (YZP)
Over all Size: 85 mm x 46 mm

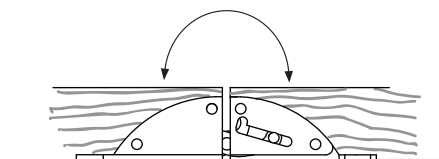
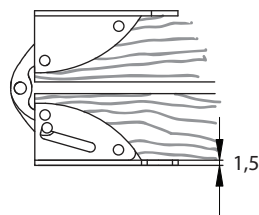
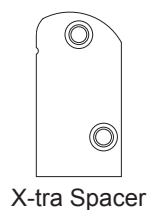
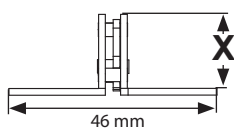
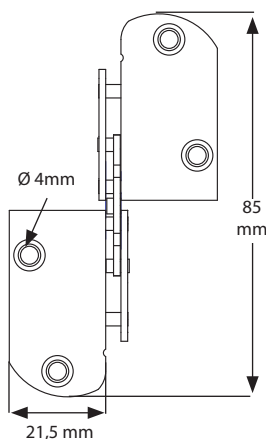
| Panel Size X | Item No. | Panel Size X | Item No. |
|--------------|-------------|--------------|-------------|
| 16 mm | # 15.80.110 | 18 mm | # 15.80.120 |
| 22 mm | # 15.80.140 | 25 mm | # 15.80.155 |
| 30 mm | # 15.80.170 | | |

Spacer For Panel Thickness Reduction = SFPTR*

| SFPTR* | Item No. | SFPTR* | Item No. |
|--------|-------------|--------|-------------|
| 1 mm | # 15.80.000 | 2 mm | # 15.80.001 |

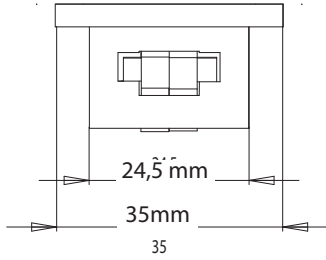
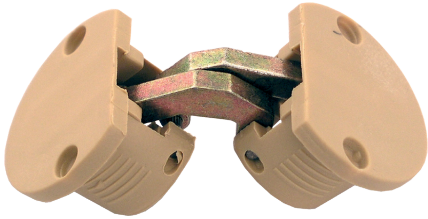
The Spacer gives you the possibility to operate with only one hinge size even though you use different panel thicknesses in your production.

Example given: Take a Hinge for 18 mm panel thicknesses and add a 2 mm spacer. Now you can use the hinge for 16 mm panel thickness.



HINGES

TABLE FLAP HINGE - f/ 22 mm PANEL - 180°

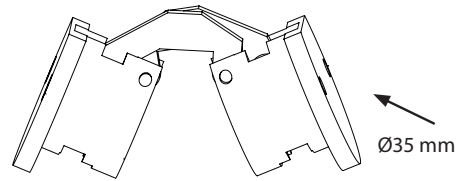
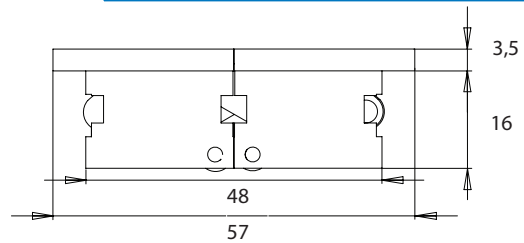
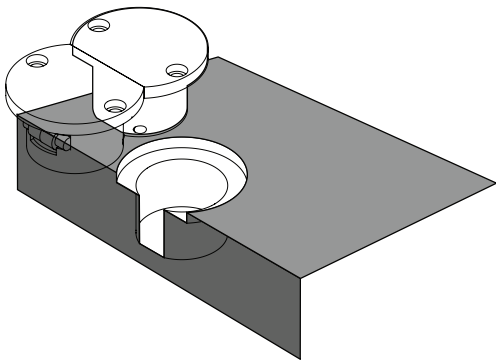


Material:
Body: Nylon
Linkage: Zamak

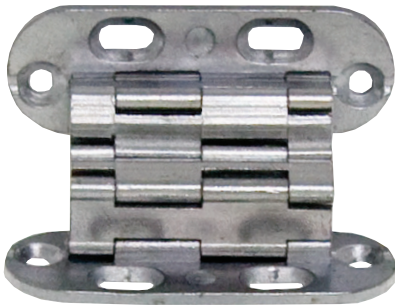
Bore Size: Ø 35 mm and Ø 25 mm
Hole Depth: 19 mm

Finish

| Body: | Linkage: | Item No. |
|-------|-------------|-------------|
| Beige | Yellow Zinc | # 15.80.200 |
| Black | Black Zinc | # 15.80.201 |



SEPA HINGE 180°

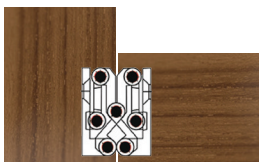
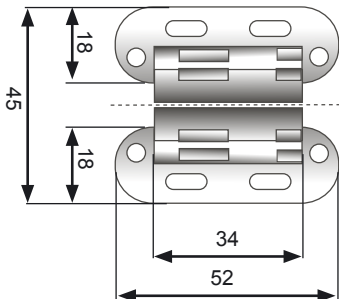


Material: Zamak

Panel thickness: Min. 26 mm

Size: 52 x 18 x 2 mm

Item No. # 15.04.076



Inset door

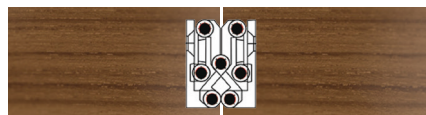


Table leaves

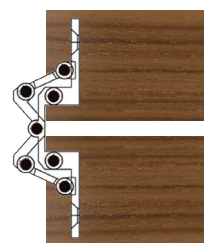


TABLE FLAP HINGE "ZAMAK"

Material: Body: Zamak, Yellow Zinc Plated
 Linkage: Steel, Yellow Zinc Plated

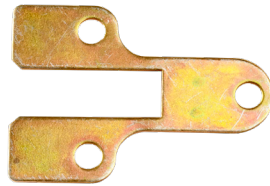
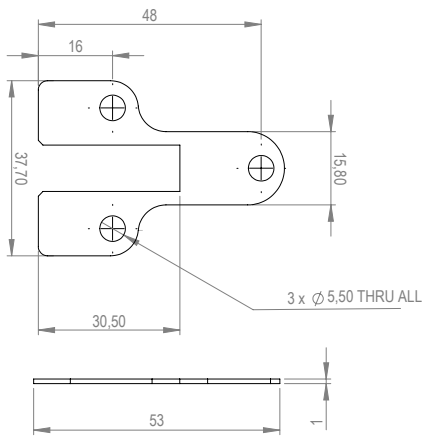
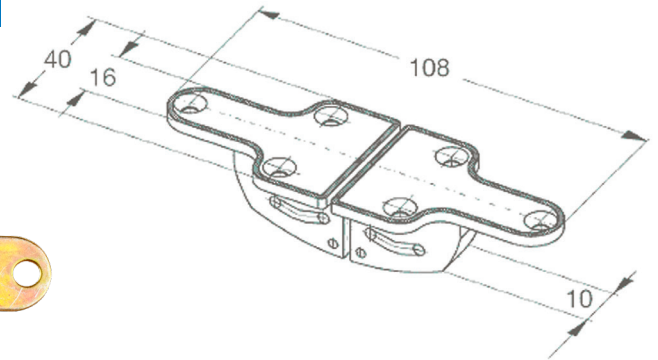
Over all size: 108 x 40 x 3 mm

Panel size: 20 mm # 15.80.175

Panel size: 27 mm # 15.80.180

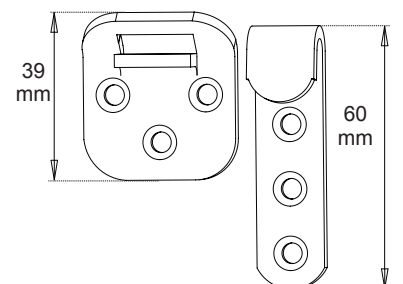
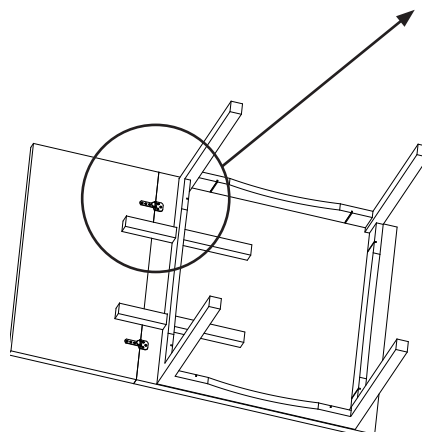
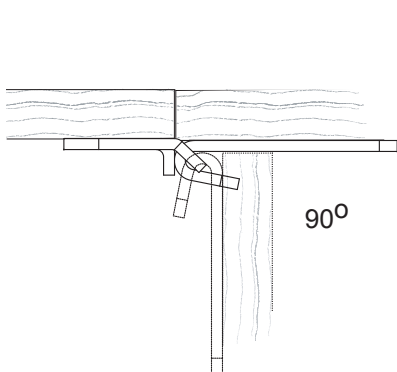
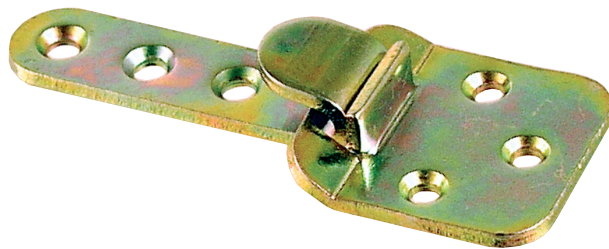
Spacer For Panel Thickness Reduction

1 mm Steel, Yellow Zinc Plated # 15.80.185



LIFT OFF HINGE - w/ STOP FOR TABLE LEAVES

Material: Steel, 3 mm
 Finish: Yellow Zinc Plated
 Screw hole: Ø4,5 mm
 Angle: 90 Degree
 Item No.: # 24.09.040





- high quality furniture fittings

SISO A/S

Mileparken 11 Phone: (+45) 45 830 900
DK - 2740 Skovlunde (Copenhagen) Fax: (+45) 45 830 444
Denmark E-mail: siso@siso.dk Web: www.siso.dk